

## BSR-5072 Remote detector LED



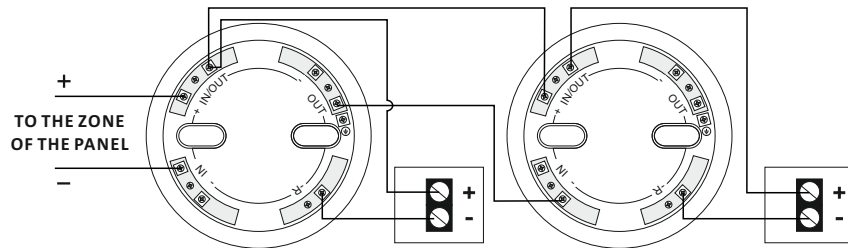
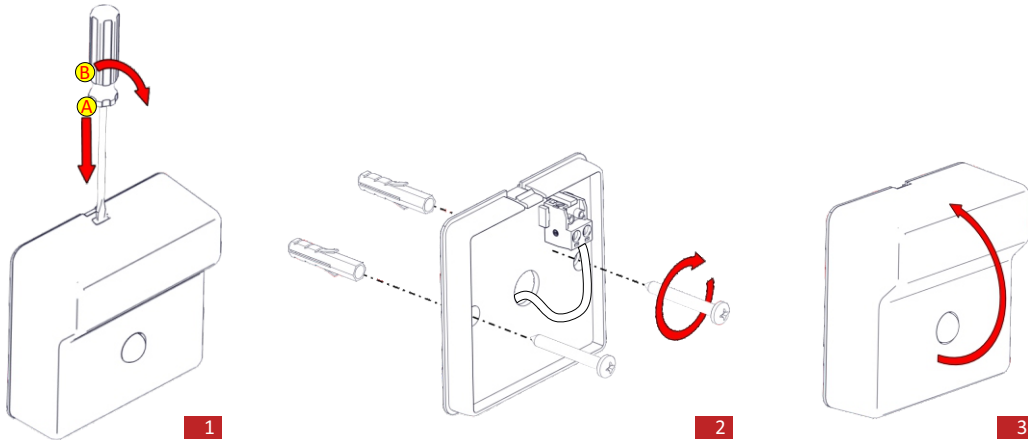
BSR-5072 is a remote indicator LED which is co-operated with any detector. It is installed away from the detector and lights on in case when a detector is activated.

It is used in buildings that the separated in small places (hotel's rooms, hospitals) so as to be controlled easily. Using the BSR-5072 we can realized in which room there is an alarm without to open the door of the room.

If one room has more than one detectors then we can connect the BSR-5072 with all the detector's so as the LED will be activated when there is an alarm in one of the detector's.

The advantage of using the BSR-5072 is the decrease of the number of the zones which are necessary for the covering of the building. Usually is installed away from the room and above of the room door which is to be visible from a long distance.

### Installation



#### Connections

The connection of the LED with the detectors is very simple. When, we finish with the connection of the detectors to the panel we connect the - (point) of the LED with the grip R (point) of the detector and the + (point) of the LED with the + (point) of the zone. When we want to connect the LED with more than one detectors then we follow the above connection for all the detectors.

In the above scheme is visible the connection of two BSR-5072 with two detectors.

## BSR-5072 Remote detector LED



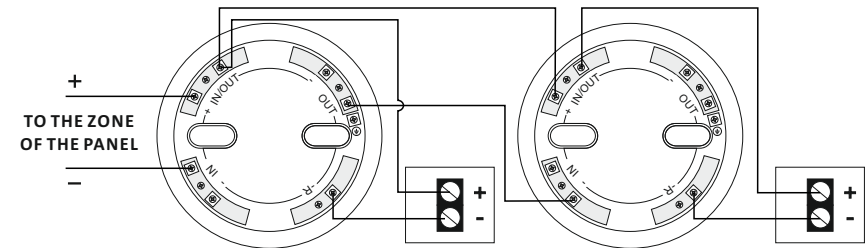
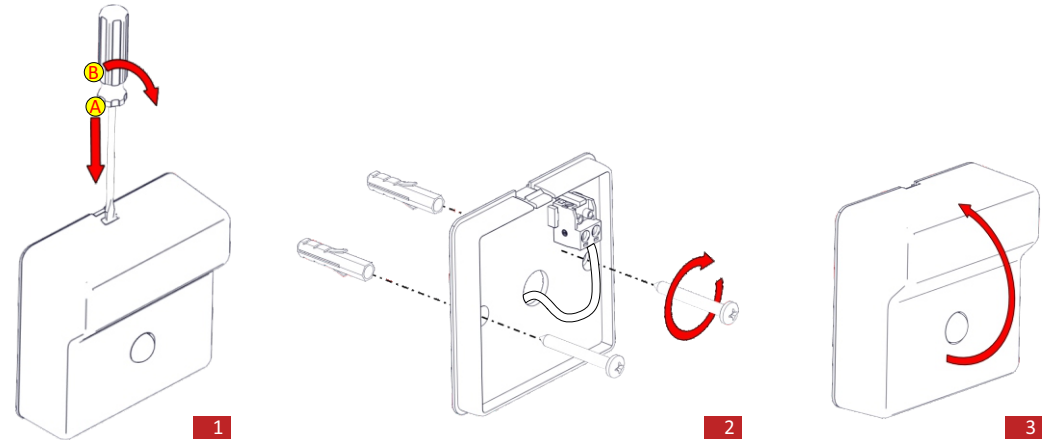
BSR-5072 is a remote indicator LED which is co-operated with any detector. It is installed away from the detector and lights on in case when a detector is activated.

It is used in buildings that the separated in small places (hotel's rooms, hospitals) so as to be controlled easily. Using the BSR-5072 we can realized in which room there is an alarm without to open the door of the room.

If one room has more than one detectors then we can connect the BSR-5072 with all the detector's so as the LED will be activated when there is an alarm in one of the detector's.

The advantage of using the BSR-5072 is the decrease of the number of the zones which are necessary for the covering of the building. Usually is installed away from the room and above of the room door which is to be visible from a long distance.

### Installation

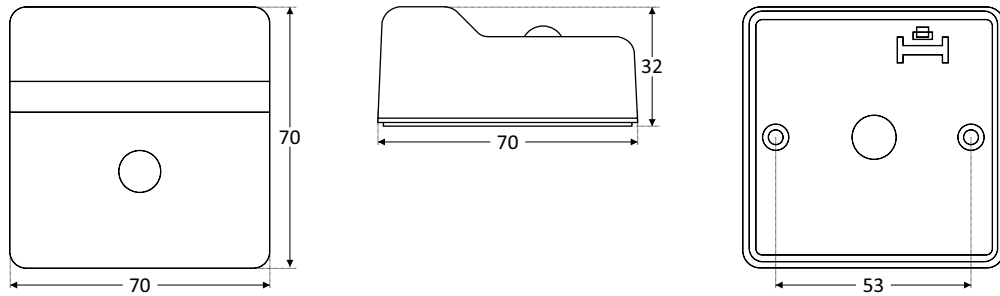


#### Connections

The connection of the LED with the detectors is very simple. When, we finish with the connection of the detectors to the panel we connect the - (point) of the LED with the grip R (point) of the detector and the + (point) of the LED with the + (point) of the zone. When we want to connect the LED with more than one detectors then we follow the above connection for all the detectors.

In the above scheme is visible the connection of two BSR-5072 with two detectors.

## Dimensional Drawing (mm)



## Technical Characteristics

Main voltage	Connected with "R" of the detector
Max. Consumption	5 mA
Output	1 Power LED
Degrees of cover protection	IP20
Produced in accordance with	EN 61000-6-3, EN 50130-4
Operation temperature range	0 to 60 °C
Relative Humidity	Up to 95%
Dimensions	70 x 70 x 32mm
Weight	50gr.
Guarantee	2 years

Thank you for your trust in our products  
Olympia Electronics - European manufacturer

## Warranty

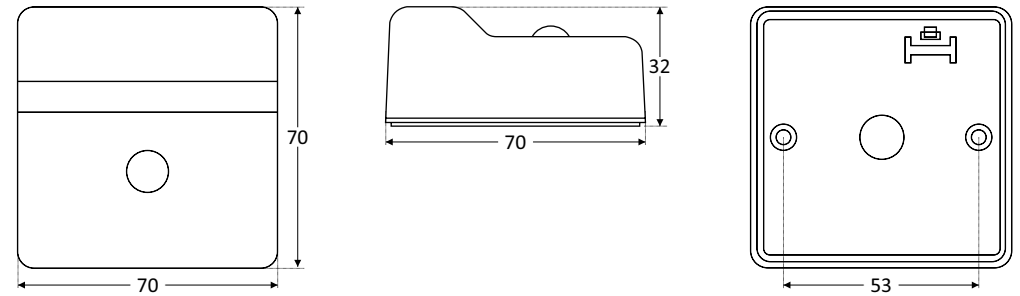
Olympia Electronics guarantees the quality, condition and operation of the goods. The period of warranty is specified in the official catalogue of Olympia Electronics and also in the technical leaflet, which accompanies each product. This warranty ceases to exist if the buyer does not follow the technical instructions included in official documents given by Olympia Electronics or if the buyer modifies the goods provided or has any repairs or re-setting done by a third party, unless Olympia Electronics has fully agreed to them in writing. Products that have been damaged can be returned to the premises of our company for repair or replacement, as long as the warranty period is valid.

Olympia Electronics reserves the right to repair or to replace the returned goods and to or not charge the buyer depending on the reason of defection. Olympia Electronics reserves the right to charge or not the buyer the transportation cost.



72nd km. O.N.R. Thessaloniki-Katerini  
P.C. 60300 P.O. Box 06 Eginio Pierias Greece  
[www.olympia-electronics.com](http://www.olympia-electronics.com)  
[info@olympia-electronics.gr](mailto:info@olympia-electronics.gr)

## Dimensional Drawing (mm)



## Technical Characteristics

Main voltage	Connected with "R" of the detector
Max. Consumption	5 mA
Output	1 Power LED
Degrees of cover protection	IP20
Produced in accordance with	EN 61000-6-3, EN 50130-4
Operation temperature range	0 to 60 °C
Relative Humidity	Up to 95%
Dimensions	70 x 70 x 32mm
Weight	50gr.
Guarantee	2 years

Thank you for your trust in our products  
Olympia Electronics - European manufacturer

## Warranty

Olympia Electronics guarantees the quality, condition and operation of the goods. The period of warranty is specified in the official catalogue of Olympia Electronics and also in the technical leaflet, which accompanies each product. This warranty ceases to exist if the buyer does not follow the technical instructions included in official documents given by Olympia Electronics or if the buyer modifies the goods provided or has any repairs or re-setting done by a third party, unless Olympia Electronics has fully agreed to them in writing. Products that have been damaged can be returned to the premises of our company for repair or replacement, as long as the warranty period is valid.

Olympia Electronics reserves the right to repair or to replace the returned goods and to or not charge the buyer depending on the reason of defection. Olympia Electronics reserves the right to charge or not the buyer the transportation cost.



72nd km. O.N.R. Thessaloniki-Katerini  
P.C. 60300 P.O. Box 06 Eginio Pierias Greece  
[www.olympia-electronics.com](http://www.olympia-electronics.com)  
[info@olympia-electronics.gr](mailto:info@olympia-electronics.gr)