

Connect the power cables (minding the correct polarity) according to the requirements of the installation.

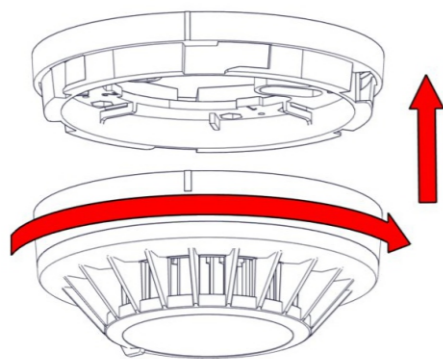
CONNECTION

1. **+ IN/OUT** : It is connected to the zone of the panel or to the (+ IN/OUT) contact of the previous detector.
2. **- IN** : It is connected to the zone of the panel or to the (- OUT) contact of the previous detector.
3. **- OUT** : It is connected to the next detector (- IN) or if it is the last one to the terminal resistor.
4. **- R** : It is connected with BS-572.
5. ⏏ : Connected to the cable's shield (when shield is used).

Connection

If the power of the detectors is turned off, wait for 3-5 seconds before you turn the power on again.

3



Place the detector carefully so that the side marks are aligned and rotate the detector clockwise until it locks. Provide power to the device and after 3-5 seconds it is ready for operation.

4

Technical Characteristics

TYPE	BS-655/A BS-655/A/C	BS-657/A BS-657/A/C	BS-660/A BS-660/A/C
OPERATION VOLTAGE	17-30V DC		
START UP POWER CONSUMPTION	1mA for 2 sec		
STANDBY CONSUMPTION	90µA		
ALARM CONSUMPTION	12mA (with activated on board LED)		
SMOKE CONCENTRATION SENSITIVITY	0.107 dB/m	0.107 dB/m	-
TEMPERATURE SENSITIVITY	-	57 °C	57 °C
CLASS	-	A1R	A1R
INDICATORS	Alarm LED		
OUTPUT	To panel / to external LED (BS-572)		
DEGREES OF COVER PROTECTION	IP42		
PRODUCED IN ACCORDANCE WITH	EN 54-7	EN 54-7, EN 54-5	EN 54-5
OPERATING TEMPERATURE RANGE	-40 to 70 °C		
RELATIVE HUMIDITY	Up to 95%		
CONSTRUCTION MATERIALS	ABS/PC		
CONSTRUCTION COLOR	WHITE	ANTHRACITE (/C)	
EXTERNAL DIMENSIONS(∅ x height)	103 x 48mm	103 x 55mm	103 x 48mm
TYPICAL WEIGHT	158 gr.	158 gr.	143 gr.
GUARANTEE	2 years		

BS-655/A Optical smoke detector EN 54-7:2018 DoP: 921655004_59_002		 SAFETY & SECURITY SYSTEMS <i>for a safer world!</i> EGINIO PIERIAS 60300 GREECE
BS-657/A Optical smoke & rate-of-rise heat detector EN 54-5:2017+A1:2018 , EN 54-7:2018 DoP: 921657002_59_002		
BS-660/A Rate-of-rise heat detector EN 54-5:2017+A1:2018 DoP: 921660004_59_004		

Warranty

Olympia Electronics guarantees the quality, condition and operation of the goods. The period of warranty is specified in the official catalogue of Olympia Electronics and also in the technical leaflet, which accompanies each product. This warranty ceases to exist if the buyer does not follow the technical instructions included in official documents given by Olympia Electronics or if the buyer modifies the goods provided or has any repairs or re-setting done by a third party, unless Olympia Electronics has fully agreed to them in writing. Products that have been damaged can be returned to the premises of our company for repair or replacement, as long as the warranty period is valid.

Olympia Electronics reserves the right to repair or to replace the returned goods and to or not charge the buyer depending on the reason of defection. Olympia Electronics reserves the right to charge or not the buyer the transportation cost.



72nd km. O.N.R. Thessaloniki-Katerini
P.C. 60300 P.O. Box 06 Eginio Pierias Greece

www.olympia-electronics.com
info@olympia-electronics.gr



**SMOKE DETECTORS &
RATE OR RISE HEAT DETECTORS**

**Thank you for your trust in our products
Olympia Electronics - European manufacturer**

Package Contents

- 1 Detector
- 1 Detector Base
- 1 Mounting Accessories
- 1 Manual

General

The user have to read carefully the following instructions, in order to be properly informed and keep them for future use.

The **BS-655/A** is a conventional smoke detector which integrates function of optical smoke detection. The detector transitions to alarm state when the concentration of smoke reaches 0.107dB/m.

The **BS-657/A** is a conventional smoke detector which integrates functions of optical smoke and heat detection. It can detect smoke and heat. The detector transitions to alarm state when the concentration of smoke reaches 0.107dB/m or when the temperature reaches 57°C. Also, the detector transitions to alarm state when the temperature rises suddenly by 32°C regardless of the initial temperature at the beginning of the sudden rise event.

The **BS-660/A** is a conventional heat detector which integrates the function of rate-of-rise heat detection. The detector transitions to alarm state when the temperature reaches 57°C. Also, the detector transitions to alarm state when the temperature rises suddenly by 32°C regardless of the initial temperature at the beginning of the sudden rise event.

They are composed by two parts. A plastic base which is placed on the ceiling and the main body of the detector which fits on the plastic base with a simple rotation to the right. The detectors have a 360° visible led and a remote led driver which are light up constantly in case of detection of fire, till cancelled from the panel. They are turned off only when a reset command is given from the panel. The indicator led blinks every 7 sec indicating the normal function.

INSTALLATION

For spacings, heights and all mounting points consult the local/national regulation or the standard EN 54-14/2018. The detectors must be placed at least 50 cm away from fluorescent lamps. Cable cross-section should be from **0.5 to 2.5mm²**.

MAINTENANCE & FUNCTIONAL TESTING

The detector has fault diagnosis and dust compensation functions, which automatically informs you through the onboard LED when replacement or cleaning actions are required. The indication LED blinks every 7 seconds. In normal operation it blinks 1 time, if cleaning action is required it blinks 2 times and if there is a failure it blinks 3 times. After cleaning procedure it will take about 10 minutes for detector's working indication to return to normal. These functions combined with periodic manual testing ensure maximum security level. The manual testing procedure is carried out by spraying a small amount of smoke into the detector with an testing spray or a counterpart product. It is suggested to carry out a test every 6 months or after a change in the position of the sensor. A key element of its proper function is the air to be able to freely circulate inside it. So be careful not to block the openings of the outer cover. You can clean the detector by blowing clean pressurised air from the outer side of the mesh.

Indications LED Status

(Red LED)	Description
●	Alarm
●	Normal Operation (1 time)
●	Cleaning Action (2 times)
●	Detector Failure (3 times)
Note:	● Permanently ON ● Blinking

CAUTION !!

- After installation the device must not be covered with dust or be painted or anything else happen that will block the smoke to get to the sensor. Special attention must be given during the installation and the use of the device, since the user assumes full responsibility for proper operation afterwards.
- Caution! Do not disassembly the detector for cleaning or for any other action.

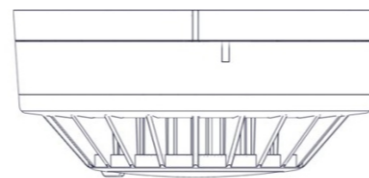
Additional features of the device :

- Integration of dynamic algorithms for noise and false alarm rejection.
- Automatic fault diagnosis.
- 360° optically visible LED.
- Dust compensation and automatic indication when cleaning is required. Stable level of detection regardless of detector's working hours.
(Only for BS-655/A & BS-657/A)
- Compensation of smoke measurements based on ambient temperature which ensures high precision measurements even under extreme environmental conditions.
(Only for BS-655/A & BS-657/A)

UID:

In every device there is a double sticker with the UID (Unique Identifier) number. This number is unique for each device.

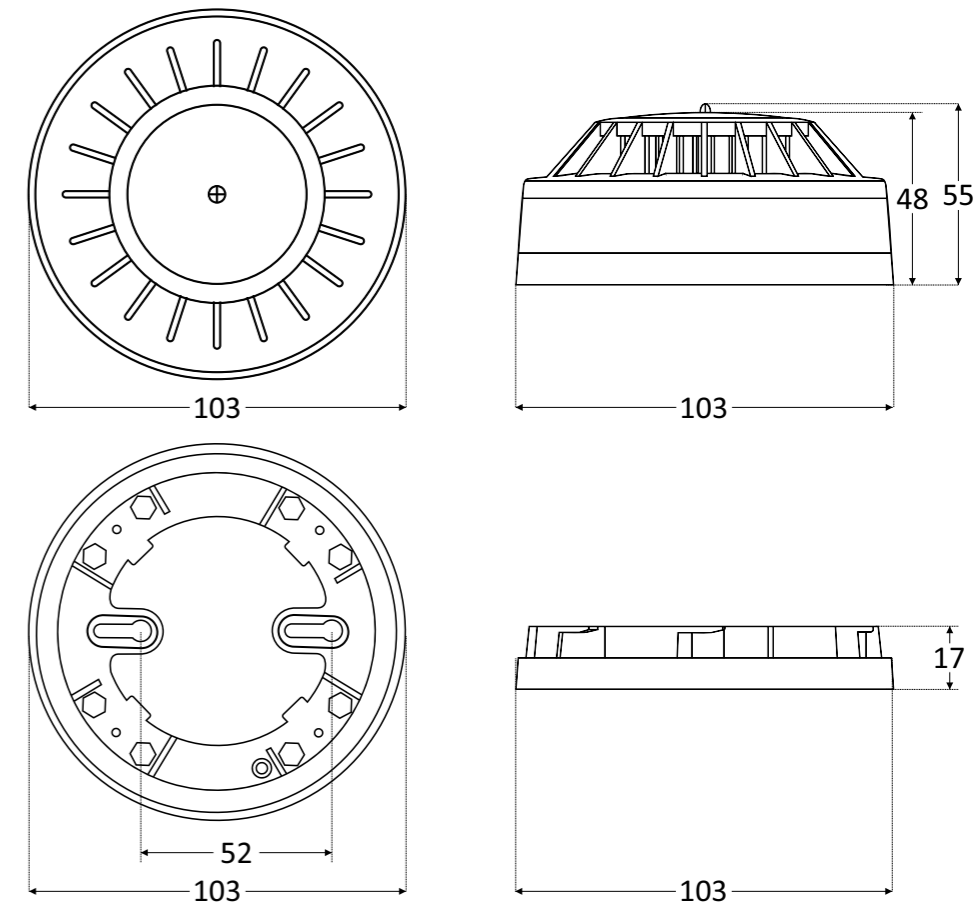
During site works place the plastic cover to the detector (only for BS-655/A & BS-657/A) as shown in the picture above to protect the device from dust. Remove the plastic cover when all the site works have finished.



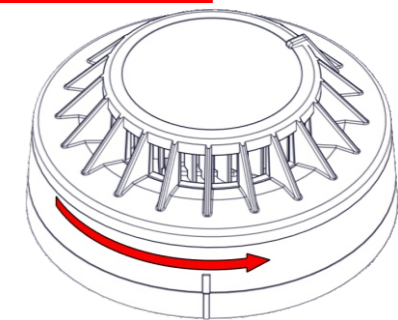
Accessories

- 927600003 **BASE-6012/A** Base 12V with relay
- 927600001 **BASE-6024** Base 24V with relay
- 921196000 **BASE-196/N** Waterproof base

Dimensional drawing (mm)

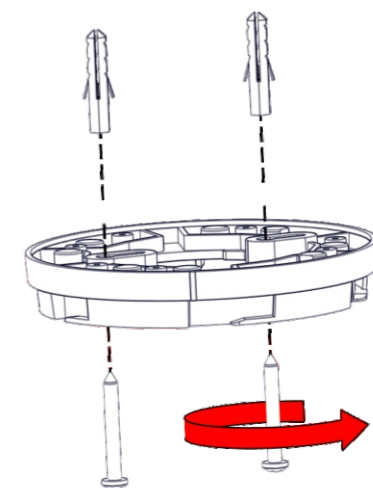


Installation



Remove the detector from its base by rotating counter-clockwise till the side marks are aligned.

1



Fasten the base with the supplied mounting accessories.

2