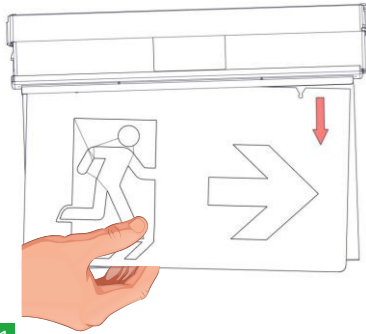
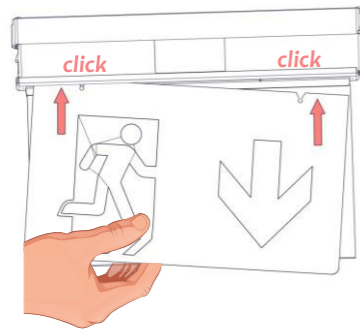


## Legend installation-replacement

### KLD-22/CBS/24V/ADR & KLD-30/CBS/24V/ADR

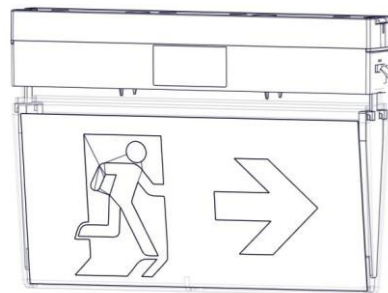


1

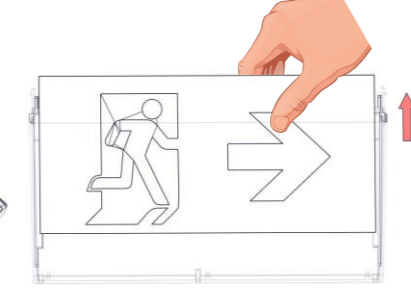


2

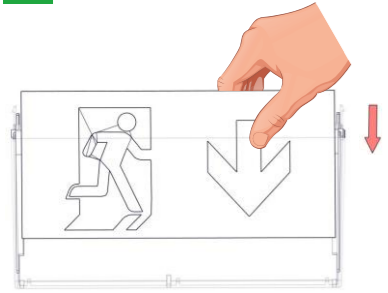
### KLR-20/CBS/24V/ADR



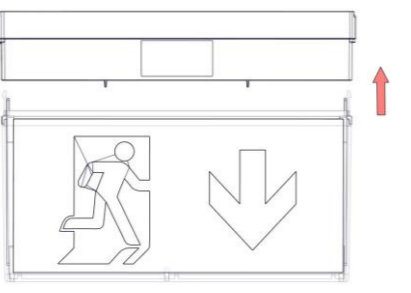
1



2



3



4

**NOTE:** LED= Light Emitting Diode

**LABELING EXPLANATION:**

**Z:** Central supply

**1:** Maintained operation


**C:** Including inhibiting mode

**E:** With non-replacable lamp(s) and/or battery

**G:** Internally illuminated safety sign

(\*) **Maintained operation:** The luminary lights its illumination source, when it is powered by the mains power supply or not.

### ATTENTION!!!

 The light source of this luminary is not replaceable when the light source reaches its end of life the whole luminary shall be replaced.

## Technical Characteristics

	KLD-30/CBS/24V/ADR	KLD-22/CBS/24V/ADR	KLR-20/CBS/24V/ADR
MAINS VOLTAGE	15-30V DC		
MAXIMUM POWER CONSUMPTION	1.2W		
LIGHT SOURCE INTENSITY	112lm		
DEGREES OF COVER PROTECTION	IP54		
PRODUCED IN ACCORDANCE WITH	EN 60598-1, EN 60598-2-22, EN 55015, EN 61547		
OPERATION TEMPERATURE RANGE	-30 to 50 °C		
RELATIVE HUMIDITY	up to 95%		
VIEWING DISTANCE	30m	22m	20m
CONSTRUCTION MATERIALS	PC, Plexiglass		
EXTERNAL DIMENSIONS (LXWXH)	310x35x216mm	254x35x180mm	254x35x170mm
TYPICAL WEIGHT	775gr.	550gr.	380gr.
GUARANTEE	3 years		

## LED Characteristics

	KLD-30/CBS/24V/ADR	KLD-22/CBS/24V/ADR	KLR-20/CBS/24V/ADR
MANUFACTURER	Olympia Electronics S.A.		
MODEL NUMBER	1209182		
VOLTAGE RANGE	11.2-13.2V DC		
NOMINAL POWER	1W		
CONNECTIONS	Built-in main board		
TEMPERATURE (tc)	45 °C max. across the board		

## Warranty

Olympia Electronics guarantees the quality, condition and operation of the goods. The period of warranty is specified in the official catalogue of Olympia Electronics and also in the technical leaflet, which accompanies each product. This warranty ceases to exist if the buyer does not follow the technical instructions included in official documents given by Olympia Electronics or if the buyer modifies the goods provided or has any repairs or re-setting done by a third party, unless Olympia Electronics has fully agreed to them in writing. Products that have been damaged can be returned to the premises of our company for repair or replacement, as long as the warranty period is valid.

Olympia Electronics reserves the right to repair or to replace the returned goods and to or not charge the buyer depending on the reason of deflection. Olympia Electronics reserves the right to charge or not the buyer the transportation cost.



72nd km. O.N.R. Thessaloniki-Katerini  
P.C. 60300 P.O. Box 06 Eginio Pierias Greece  
[www.olympia-electronics.gr](http://www.olympia-electronics.gr)  
[info@olympia-electronics.gr](mailto:info@olympia-electronics.gr)



KLD-22/CBS/24V/ADR

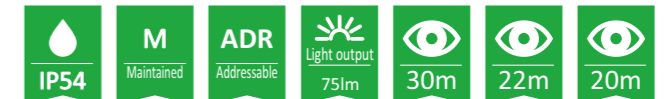
KLD-30/CBS/24V/ADR



KLR-20/CBS/24V/ADR

**KLD-30/CBS/24V/ADR , KLD-22/CBS/24V/ADR  
& KLR-20/CBS/24V/ADR**

**ADDRESSABLE EMERGENCY  
ILLUMINATION SIGNS FOR CBS 24VDC**



**Thank you for your trust in our products  
Olympia Electronics - European manufacturer**

## Package contents

1	Luminaire
1	Wall mounting accessorie
1	Ceiling mounting accessorie
1	Manual

## General

- Operations for installation, maintenance or testing must be done by authorized personnel only.
- The device, must be connected **only** to the GR-8600 panel via its ADR line.
- First set the address before installation. To address the device refer to the table below.

### Address operation

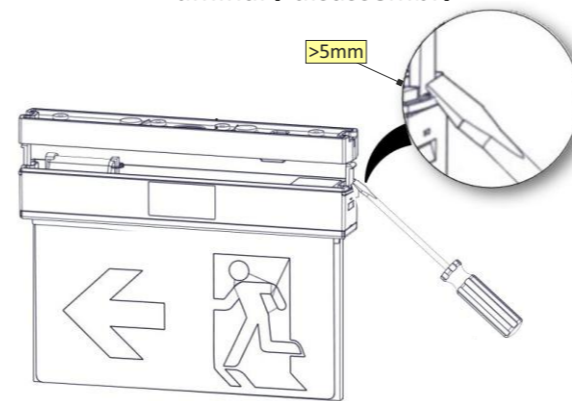
For address operations refer to the installation manual of the panel. Please see manual of CBS panel GR-8600 for maximum number of luminaries that can be interconnected.

### Addressing Table

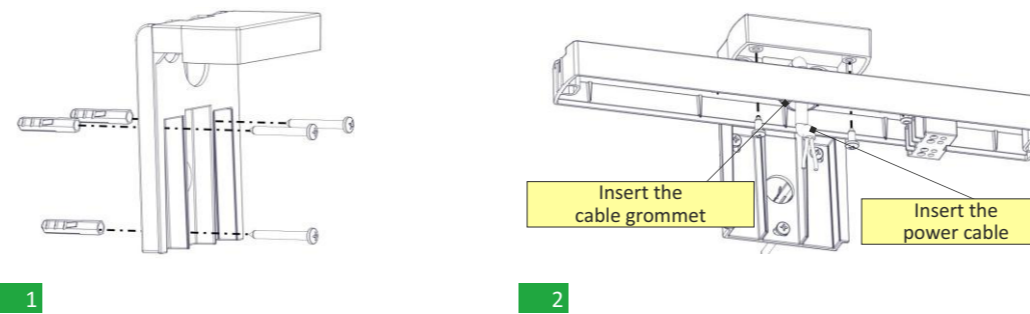
Address	Dipswitch setting	Address	Dipswitch setting
1		17	
2		18	
3		19	
4		20	
5		21	
6		22	
7		23	
8		24	
9		25	
10		26	
11		27	
12		28	
13		29	
14		30	
15		31	
16		32	

## Installation methods

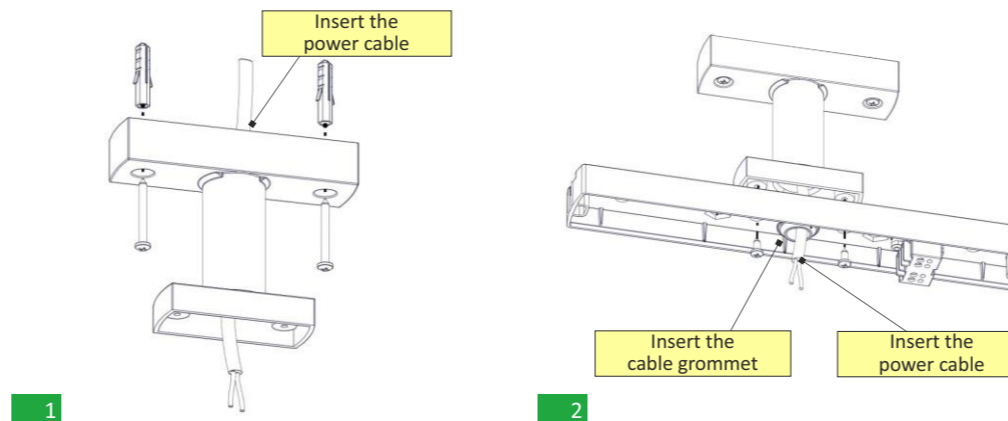
### Luminary disassembly



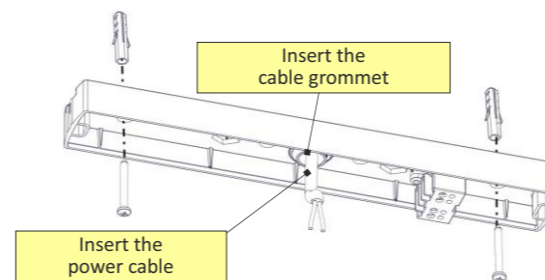
### Wall mounting



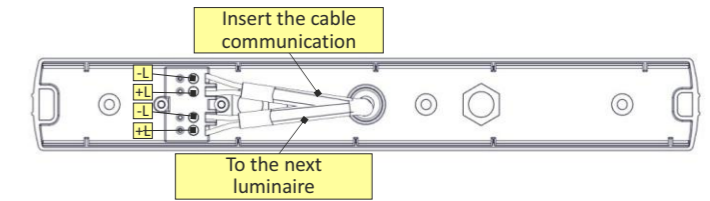
### Hanging installation



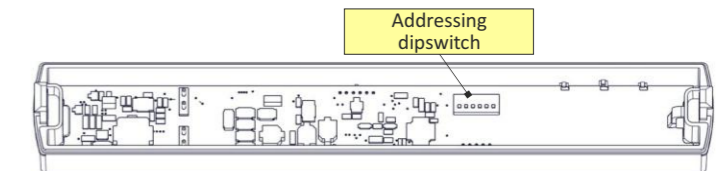
### Ceiling mounting



After the desired installation follow the steps below

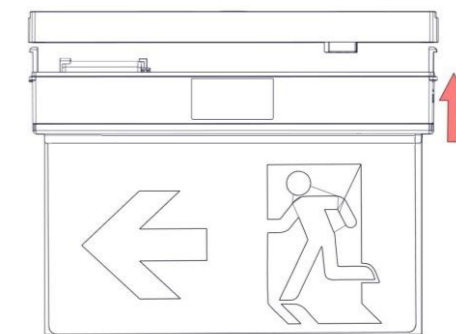


3



4

### Luminary assembly



5

### Accessories for installation (After request)

- A-2130: Accessorie for ceiling (1m)
- A-2131: Accessorie for ceiling (0,5m)
- A-2132: Accessorie for ceiling (0,25m)
- A-2133: Accessorie for wall mounting
- A-2136: Accessorie for hanging installation (2,5m)
- A-2520/PL: Suspended ceiling base