

NOTE: LED= Light Emitting Diode

LABELING EXPLANATION:

Z: Central supply


1: Maintained operation

E: With non-replacable lamp(s) and/or battery

G: Internally illuminated safety sign

(*) Maintained operation: The luminary lights its illumination source, when it is powered by the mains power supply or not.

ATTENTION!!!

 The light source of this luminary is not replaceable when the light source reaches its end of life the whole luminary shall be replaced.

Technical Characteristics			
	KLD-30/CBS	KLD-22/CBS	KLR-20/CBS
MAINS VOLTAGE		80-250V AC / DC	
MAXIMUM POWER CONSUMPTION		1.3W/1.7VA	
LIGHT SOURCE INTENSITY		110lm	
DEGREES OF COVER PROTECTION		IP54	
PRODUCED IN ACCORDANCE WITH	EN 60598-1, EN 60598-2-22, EN 55015 EN 61547, EN 61000-3-2, EN 61000-3-3		
OPERATION TEMPERATURE RANGE	-30 to 50 °C		
RELATIVE HUMIDITY	up to 95%		
VIEWING DISTANCE	30m	22m	20m
CONSTRUCTION MATERIALS	PC, Plexiglass		
EXTERNAL DIMENSIONS (LXWXH)	310x35x216mm	254x35x180mm	254x35x170mm
TYPICAL WEIGHT	835 gr.	615 gr.	440 gr.
GUARANTEE	3 years		

LED Characteristics			
	KLD-30/CBS	KLD-22/CBS	KLR-20/CBS
MANUFACTURER	Olympia Electronics S.A.		
MODEL NUMBER	2112185		
VOLTAGE RANGE	11.2-13.2V DC		
NOMINAL POWER	0.48W		
CONNECTIONS	Built-in main board		
TEMPERATURE (tc)	40 °C max. across the board		

Warranty

Olympia Electronics guarantees the quality, condition and operation of the goods. The period of warranty is specified in the official catalogue of Olympia Electronics and also in the technical leaflet, which accompanies each product. This warranty ceases to exist if the buyer does not follow the technical instructions included in official documents given by Olympia Electronics or if the buyer modifies the goods provided or has any repairs or re-setting done by a third party, unless Olympia Electronics has fully agreed to them in writing. Products that have been damaged can be returned to the premises of our company for repair or replacement, as long as the warranty period is valid.

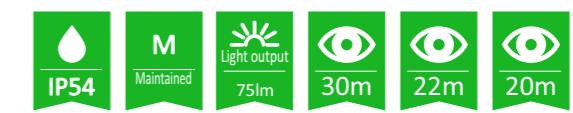
Olympia Electronics reserves the right to repair or to replace the returned goods and to or not charge the buyer depending on the reason of deflection. Olympia Electronics reserves the right to charge or not the buyer the transportation cost.



KLD-30/CBS , KLD-22/CBS & KLR-20/CBS

EMERGENCY ILLUMINATION SIGNS FOR CBS


 72nd km. O.N.R. Thessaloniki-Katerini
 P.C. 60300 P.O. Box 06 Eginio Pierias Greece
www.olympia-electronics.gr
info@olympia-electronics.gr



Thank you for your trust in our products
 Olympia Electronics - European manufacturer

Package contents

1	Luminaire
1	Wall mounting accessorie
1	Ceiling mounting accessorie
1	Manual

General

These luminaires are used in places where emergency luminaires (CBS) are needed.

Each luminaire must be permanently connected to mains power supply.

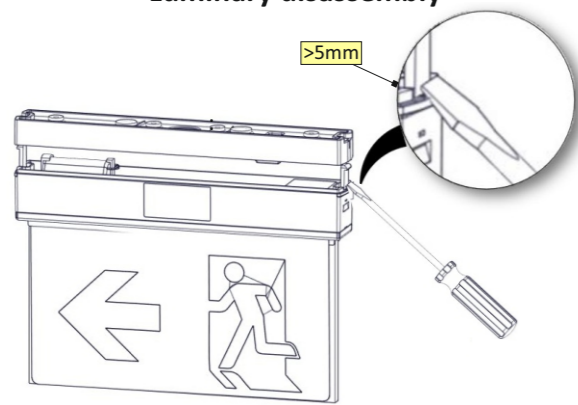
ATTENTION!!!

1. Operations for installation, maintenance or testing must be done by authorized personnel only.

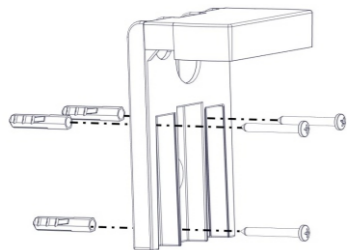
2. The device must be connected to the mains power supply through a fuse dependent by the total amount of the line's power load.

Installation methods

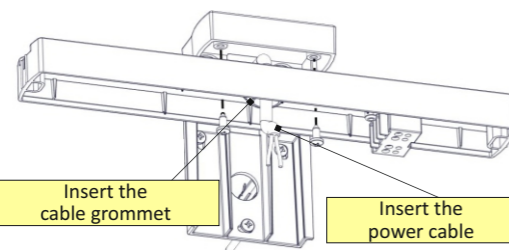
Luminary disassembly



Wall mounting

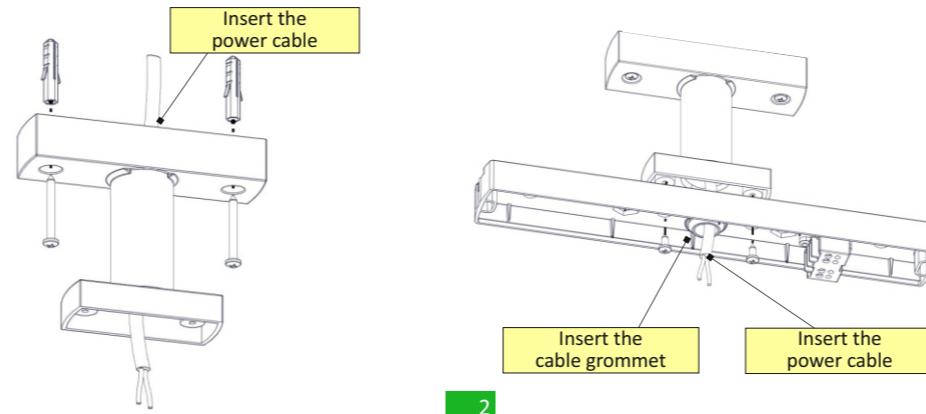


1



2

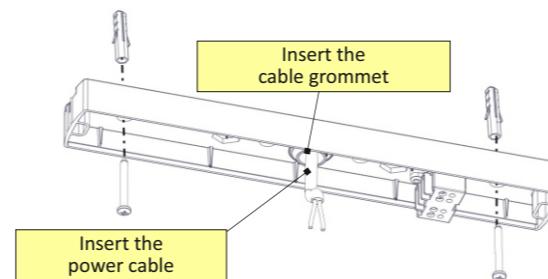
Hanging installation



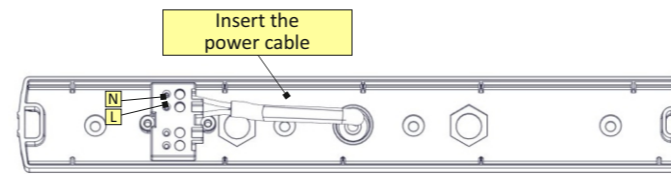
1

2

Ceiling mounting

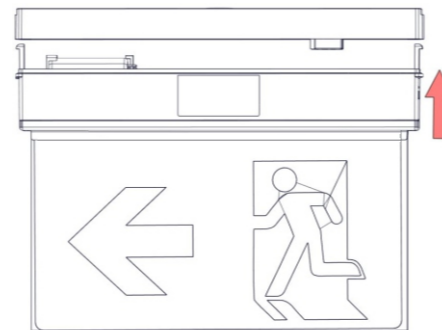


After the desired installation follow the steps below



3

Luminary assembly



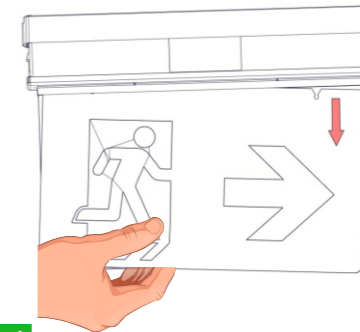
4

Accessories for installation (After request)

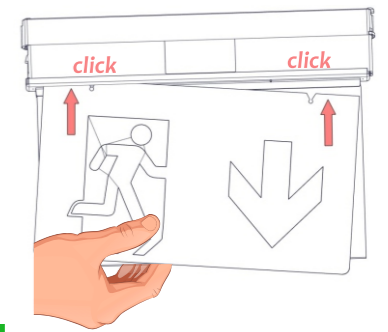
- A-2130: Accessorie for ceiling (1m)
- A-2131: Accessorie for ceiling (0,5m)
- A-2132: Accessorie for ceiling (0,25m)
- A-2133: Accessorie for wall mounting
- A-2136: Accessorie for hanging installation (2,5m)
- A-2520/PL: Suspended ceiling base

Legend installation-replacement

KLD-22/CBS & KLD-30/CBS



1

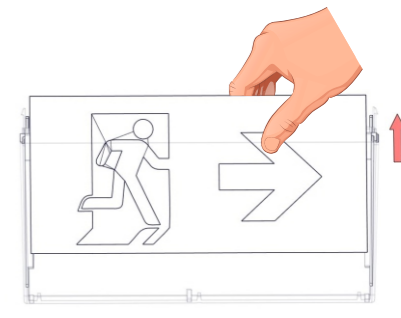


2

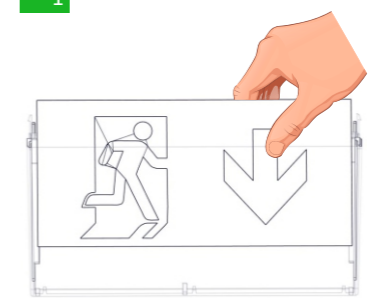
KLR-20/CBS



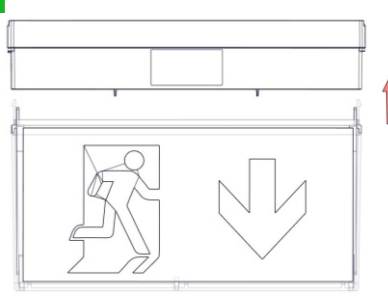
1



2



3



4