

Commissioning

- After installation, a 24 hours charging cycle must be completed, in order to achieve the nominal autonomy.
- During commissioning of the luminaire write the commissioning date on the battery.
- When power is applied to the unit inspect that the CHARGE indicator is either blinking or steady, all other indicators are OFF and that the led lamp is lit (maintained operation) or OFF (non-maintained operation)
- A full duration test should be conducted after verifying that the CHARGE indicator is continuously ON. Test is initiated by isolating the mains power supply. Verify that the LED lamp is lit during the test period for at least the stated duration.

Accessories for installation (After request)

- A-2130: Accessory for ceiling (1m)
- A-2131: Accessory for ceiling (0,5m)
- A-2132: Accessory for ceiling (0,25m)
- A-2133: Accessory for wall mounting
- A-2136: Accessory for hanging installation (2,5m)

Battery replacement

1. Disassemble the luminaire.
2. Remove the battery connector and carefully remove the battery from its base.
3. Install a new battery of the same type and rating.
4. Assemble the luminaire and power the device.

NOTE: LED= Light Emitting Diode

LABELING EXPLANATION:

X: Self contained

1: Maintained (*)

A: Including test device

B: Including remote test mode

C: Including inhibiting mode

E: With non-replacable lamp(s) and/or battery

F: Automatic test gear complying with IEC 61347-2-7 denoted EL-T

60: 1 hour duration

180: 3 hours duration

480: 8 hours duration

X1|A|B|C|E|F|1|8|0

(*) Maintained operation: The luminaire lights its illumination source, when it is powered by the mains power supply or not.

Non Maintained operation: The luminaire lights its illumination source, only in power supply's failure.

ATTENTION!!!



The light source of this luminaire is not replaceable when the light source reaches its end of life the whole luminaire shall be replaced.

Technical Characteristics

KLIN-20/ST/WL	
OPERATION VOLTAGE	220-240V AC / 50-60Hz
MAXIMUM POWER CONSUMPTION	3.9W / 4.4VA
SUPPLY CURRENT	20mA
U-OUT	70V
Prated	1.5W
Irated	130mA
Tx/Rx FREQUENCY RANGE	868-870MHz
Tx POWER	11dBm
MAX OPEN CIRCUIT VOLTAGE	39V DC
EMERGENCY OUTPUT FACTOR (EoFx)	1h: 3.4, 3h: 1.4, 8h: 0.2
WIRE CROSS SECTION	0.08mm ² - 1.5mm ²
MINIMUM POWER FACTOR	0.87
BATTERY (Ni-MH)	3.6V/1.5Ah
INSULATION BETWEEN SUPPLY & CONTROL TERMINALS	Basic insulation
INSULATION BETWEEN SUPPLY & BATTERY CIRCUIT	Basic insulation
BATTERY PROTECTION	Deep discharge and overcharge protection / the control gear will recharge the battery normally after the test of 22.3
MIN MAX. DISCHARGE VOLTAGE	3 - 4.5V
MIN MAX. DISCHARGE CURRENT	1h (400-690mA), 3h (190-295mA), 8h (55-95mA)
MIN MAX. CHARGE CURRENT	20 - 120mA
TRICKLE CHARGE VOLTAGE/CURRENT	4.4V / 40mA
MAX CHARGE VOLTAGE	4.9V
INDICATIONS	LED Charge, Lamp Fault LED, Battery Fault LED / Test Button
CHARGE TIME	24 hours
MINIMUM DURATION	1h / 3h / 8h Manually Selected (Default 3h)
LIGHT SOURCE / OUTPUT MODE	LED / CONSTANT CURRENT
LIGHT SOURCE LUMINOUS FLUX (MAINS / EMERGENCY)	80lm / 1h: 250lm, 3h: 77lm, 8h: 12lm
DEGREES OF COVER PROTECTION	IP54
PRODUCED IN ACCORDANCE WITH	EN 60598-1, EN 60598-2-22, EN 55015, EN 61547, EN 61000-3-2, EN 61000-3-3, EN 62311, ETSI EN 303 446-1 V1.1.0, ETSI EN 300 220-2 V3.1.1
OPERATION TEMPERATURE RANGE	5 to 40 °C
CONTROL GEAR MAX.TEMPERATURE: tc	58 °C at BR1
RELATIVE HUMIDITY	Up to 95%
CONSTRUCTION MATERIAL	PC
EXTERNAL DIMENSION (L x W x H)	260 x 35 x 60 mm
WEIGHT	420gr.
GUARANTEE	3 years (1 year for the battery)
CONTROL GEAR WITH AUTOMATIC TEST FUNCTION	EL-T

LED Characteristics

KLIN-20/ST/WL	
MANUFACTURER	Olympia Electronics S.A.
MODEL NUMBER	2711195
VOLTAGE RANGE	11.2-13.2V DC
NOMINAL POWER	0.72
CONNECTIONS	Built-in main board
TEMPERATURE	45 °C max. across the board

Warranty

Olympia Electronics guarantees the quality, condition and operation of the goods. The period of warranty is specified in the official catalogue of Olympia Electronics and also in the technical leaflet, which accompanies each product. This warranty ceases to exist if the buyer does not follow the technical instructions included in official documents given by Olympia Electronics or if the buyer modifies the goods provided or has any repairs or re-setting done by a third party, unless Olympia Electronics has fully agreed to them in writing. Products that have been damaged can be returned to the premises of our company for repair or replacement, as long as the warranty period is valid.

Olympia Electronics reserves the right to repair or to replace the returned goods and to or not charge the buyer depending on the reason of defection. Olympia Electronics reserves the right to charge or not the buyer the transportation cost.



72nd km. O.N.R. Thessaloniki-Katerini
P.C. 60300 P.O. Box 06 Eginio Pierias Greece

www.olympia-electronics.com
info@olympia-electronics.gr



KLIN-20/ST/WL

SELF TESTING MAINTAINED EMERGENCY
LUMINAIRE WITH WIRELESS COMMUNICATION



Thank you for your trust in our products
Olympia Electronics - European manufacturer

Package contents

- 1 Luminaire
- 1 Wall mounting accessories
- 1 Ceiling mounting accessories
- 1 Manual

General

These luminaires are used indoors (ta 40°C) where emergency light is needed. Each luminaire must be permanently connected to mains power supply. In normal operation the led strip lights and the battery is charging. In case of a mains power supply failure the luminaire will light the led strip automatically in emergency mode (powered by its battery). When the mains power supply is restored the device turns to normal operation.

Manual test for emergency operation and light source.

The manual test can be conducted only if the mains power supply and the battery is connected:



During the Test the lamp fault LED blinks.

Manual Autonomy Test

A duration test can be conducted if the TEST button is pressed from 5 to 10 seconds. The luminaire enters emergency mode, the charge LED is turned OFF and the Battery Fault led starts to blink. The test is conducted until the battery is depleted. If at the end of the test the autonomy is low then the Battery Fault LED will be ON. If the result of the test is good then the luminaire enters charging mode and the Charge led starts to blink until the batteries are fully charged.

Automatic Operational Test

This test includes all the operations that provide the manual test and is conducted automatically every 15 days. In order to be performed, the mains power supply and the battery should be connected.

Automatic Autonomy Test

The Automatic Autonomy Test is conducted every 6 months and measures the device's back up operation and emergency duration. This test includes all functions of the Manual Autonomy Test.

Resetting errors

Push the test button for more than 10 seconds, to delete all the LED indicated errors. Then the device enters regular operation mode.

Wireless communication

The WL luminaire models have the ability to communicate over the air with Olympia's control panels for wireless emergency luminaires. The luminaires can also communicate with a PC/laptop through a gateway (Ethernet, Wi-Fi, USB). For more information, please refer to Wireless Emergency Lighting guides, available on the company's website.

ATTENTION!!!

1. Operations for installation, maintenance or testing must be done by authorized personnel only.
2. The device must be connected to the mains power supply through a fuse that is dependent on the total line's power load.
3. In case of battery replacement, this must be replaced by part of the same type, by the manufacturer or by a competent person.
4. In case of inactive use for a period greater than 2 months, disconnect the battery by pulling out the battery's connector.
5. The control gear is not proof against supply voltage polarity reversal.

6. It is not allowed to discard batteries into common trash bins, they must be discarded only in battery recycling points. Do not incinerate.

Connectors

- CN10: Power connector
- CN11: Communication Port
- CN6 & CN7: Battery connector
- CN9: Module Port
- CN5: Non user connector
- CN7: Recess LED Port

Indications LED Status

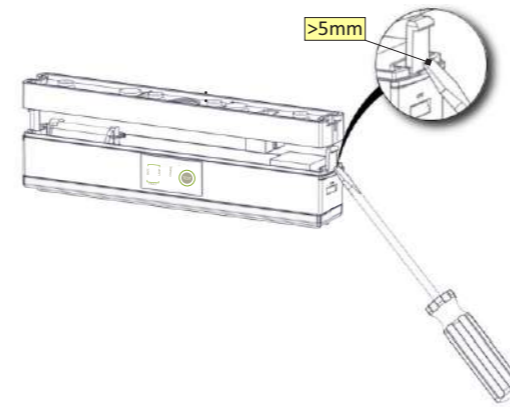
CHARGE (green)	LAMP FAULT (red)	BATT. FAULT (yellow)	Description
			Charging
			Fully charged
			Battery fault or emergency mode
			Operational test
			Light source fault
			Autonomy test
			Duration fault

Note:

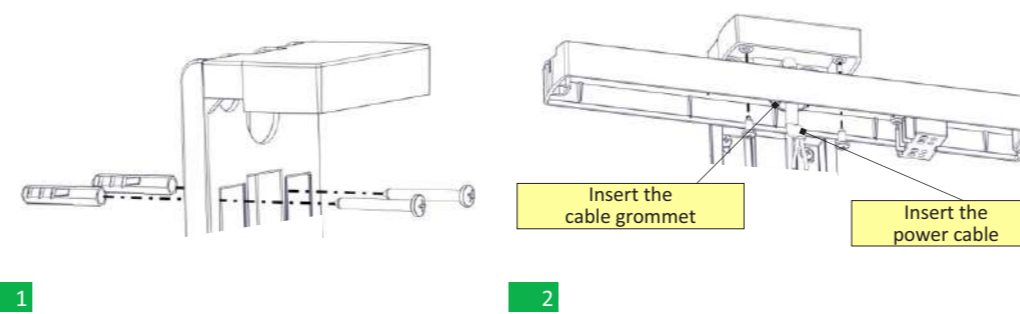
	Permanently ON
	Blink
	Off
	Indifferent

Installation methods

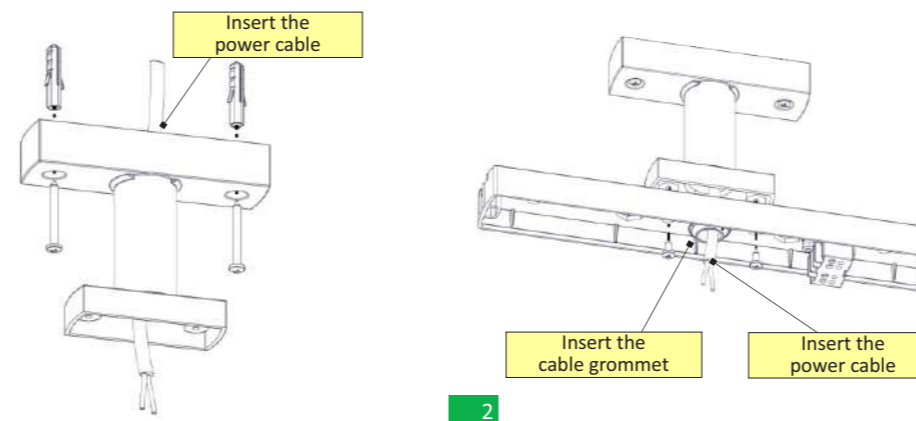
Luminaire disassembly



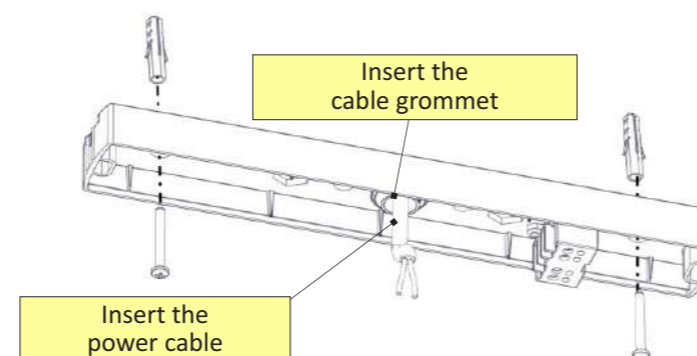
Wall mounting



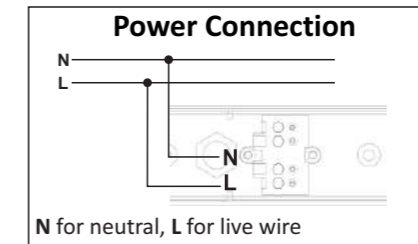
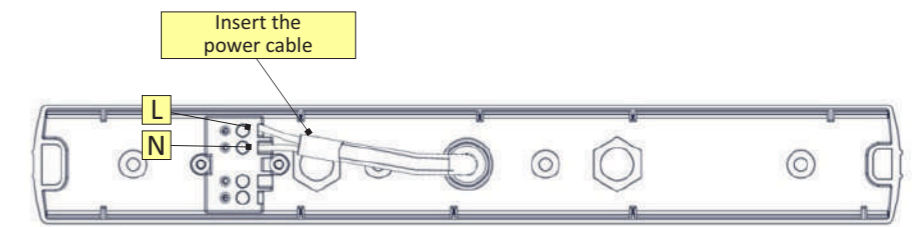
Hanging installation



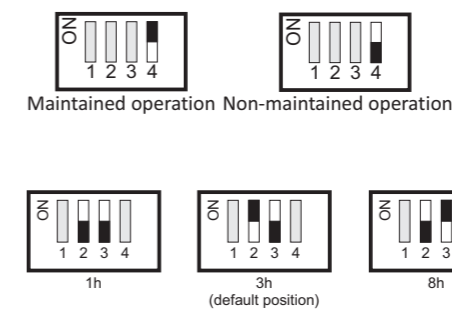
Ceiling mounting



After the desired installation follow the steps below



1



Autonomy duration selection

The user can select one of the 3 available minimum autonomy durations 1 hour, 3 hours and 8 hours. The selection must be done while the luminaire is disconnected from AC and battery supplies. The selection is achieved through Switches 2 & 3 of DS1. Switch 1 is not used.

Changing the operating mode

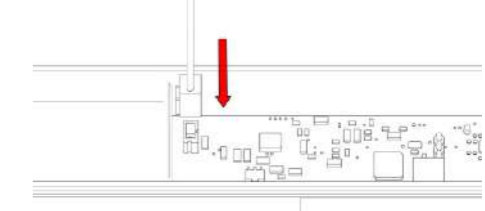
The control of maintained or non maintained operation of the luminaire is achieved through Switch 4 of DS1. For maintained operation, switch number 4 must be in ON position. For non-maintained operation, switch number 4 must be in OFF position.

Technical label installation

Two additional labels are included in the package. one for 1 hour duration (60) and one for 8 hour duration (480). Depending on the selected duration, the installer must cover the default 3 hour (180) printing with one label that has the required duration. Please take notice of the orientation of the label.

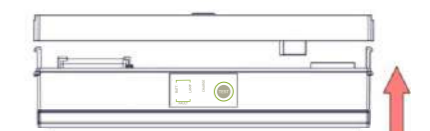
2

Battery Connection



3

Luminaire assembly



4