

## Package Contents

- 1 x Luminaire
- 4 x Pictograms (Right, Left, 2 x Down)
- 1 x User Manual
- 1 x Mounting base for wall installation
- 1 x Mounting base for ceiling installation
- 1 x Bag with mounting accessories

## General

This emergency luminaire is designed for installation in indoor spaces with ambient temperatures up to 50°C. It must remain permanently connected to the mains power supply to ensure proper operation. In the event of a mains power failure, the luminaire automatically switches to emergency mode, activating the LEDs to provide reliable safety lighting. Once the mains power is restored, the luminaire returns to normal operation without the need for user intervention.

### Indicator LED

- When the green indicator is on, the battery is fully charged.
- When the green indicator is blinking, the battery is charging.

### Manual Operational Test

By pressing and holding the test button, the emergency circuit of the luminaire is activated. The lighting LEDs should remain on for as long as the button is pressed. If this does not occur, please contact qualified technical support.

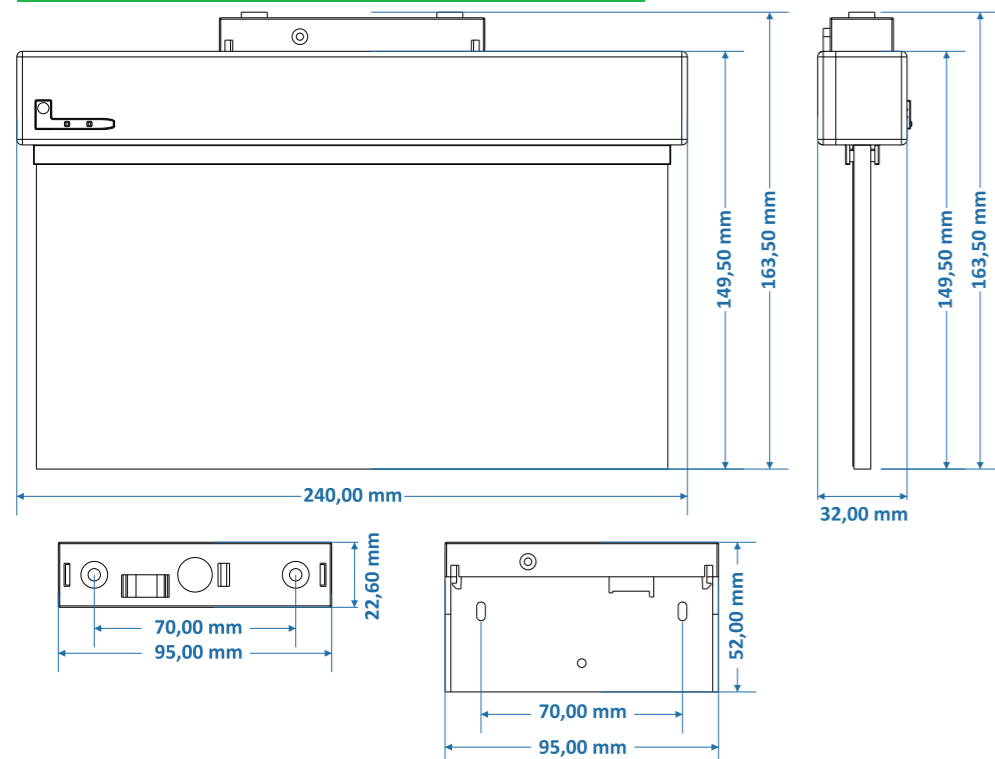
### Periodic Autonomy Test

It is recommended to carry out a full autonomy test of the luminaire every six months by disconnecting the mains power supply. Record the duration for which the luminaire remains illuminated. If this period is shorter than the specified minimum rated autonomy, the battery must be replaced. If the autonomy time is significantly reduced, contact a qualified technician. Replacement of the battery or lighting LEDs must always be performed using components of the same type, provided by the manufacturer or by an authorized technician.

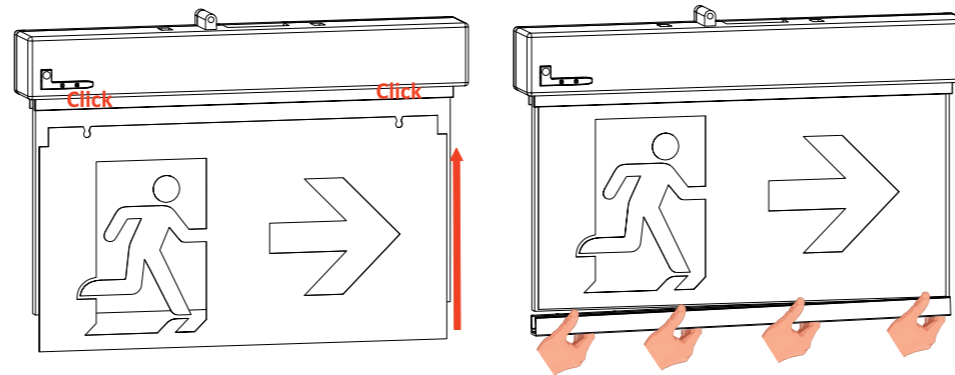
### ATTENTION!!!

1. Operations for installation, maintenance, or testing must be done by authorized personnel only.
2. Always use round mains cables with a diameter of 5-10mm (H05RN-F type 2x1mm<sup>2</sup> or any other type at least equal to its mechanical and electrical properties). ATTENTION!! The cable must not be deformed in any way (This requirement is important to ensure the IP rating).
3. The device must be connected to the mains power supply through a circuit breaker that is appropriate for the total line's power load.
4. In case of battery replacement, it must be replaced with the same type, by the manufacturer or a competent person.
5. If the device is inactive for a period greater than 2 months, disconnect the battery by pulling out the battery's connector.
6. If the luminaire no longer meets the rated duration of operation after the corresponding recharge period, the battery must be replaced.

## Dimensional drawing



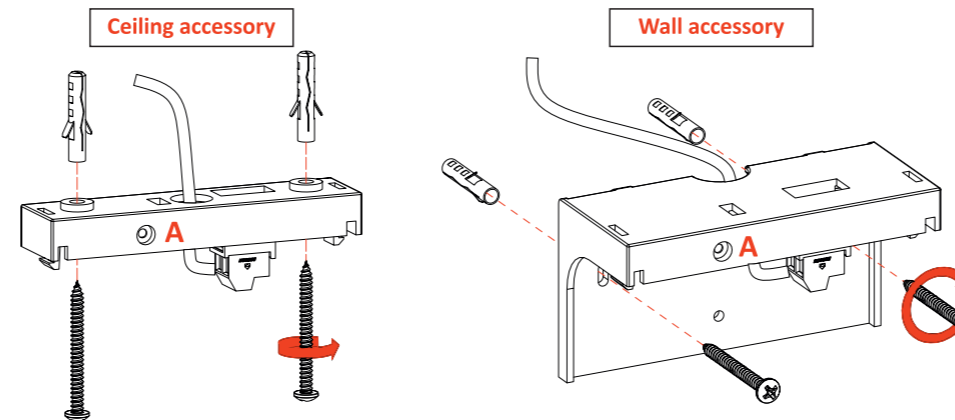
## Pictogram Installation



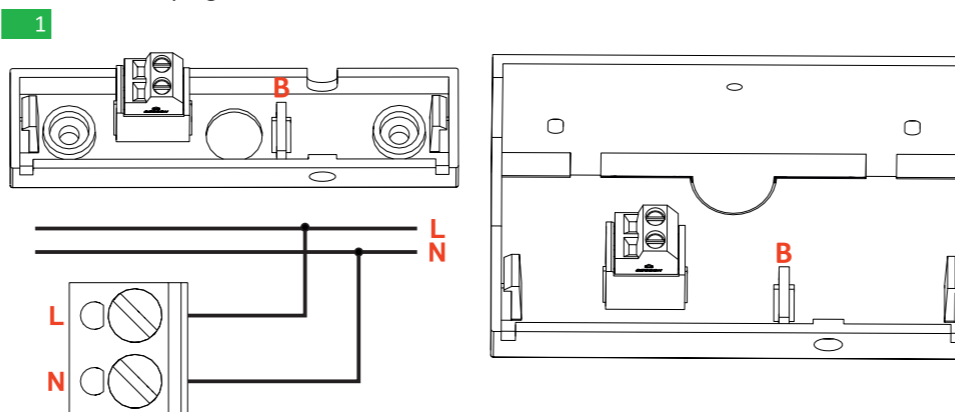
First, remove the protective film from the pictograms you wish to use. Then, place the required pictograms on both sides and push them upwards until a "click" sound is heard.

Finally, secure them by installing the pictogram retaining clip.

## 1 Installation instructions



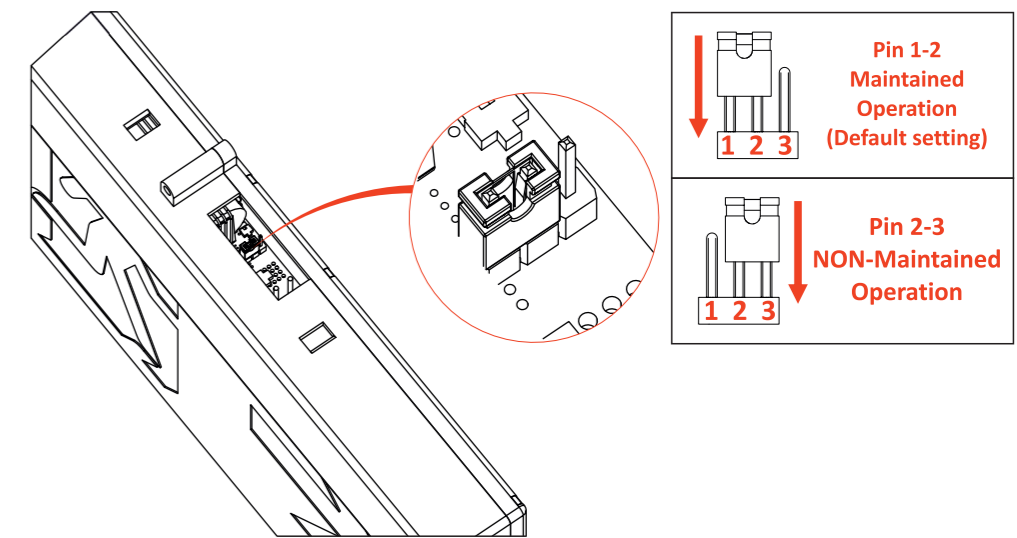
Pass the power cable through the hole of the mounting accessory. Mount the ceiling or wall accessory to the surface according to the selected installation method using the supplied screws and wall plugs. Ensure that hole A is not obstructed.



Ensure that the power supply is disconnected before wiring. Pass the power cable through the cable entry hole of the luminaire and connect it to the terminal block: L for the live wire and N for the neutral wire.

**Note! Point B is used to secure the power cable with a cable tie.**

## 2



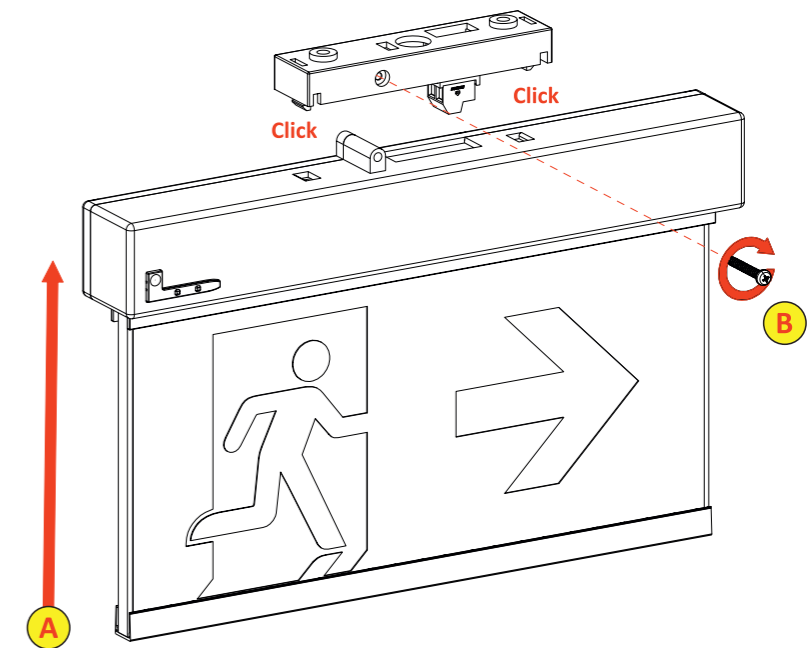
The user can set the luminaire to operate in either maintained or non-maintained mode by adjusting the jumper located at position CN4.

- For maintained operation, place the jumper on pins 1 and 2.
- For non-maintained operation, place the jumper on pins 2 and 3.

This adjustment must only be carried out when the luminaire is disconnected from both the AC supply and the battery. The default setting is maintained operation.

**Note! To move the jumper, use a small pair of long-nose pliers.**

## 3



The battery is already connected. The luminaire is ready for use.

Push the luminaire (A) upwards to install it onto the mounting accessory until a "click" sound is heard, then install the supplied screw (B) to secure the luminaire to the accessory.

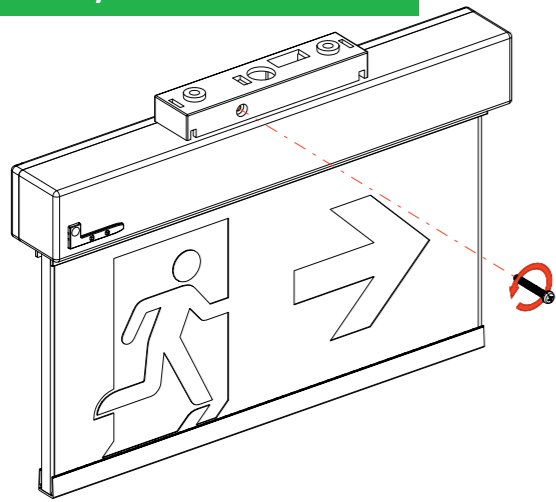
**Warning! The luminaire must not be installed at an angle or diagonally. It must be properly aligned with the mounting base to ensure correct connection of the terminal block with the main body of the luminaire.**

## 4

**NOTE!!**

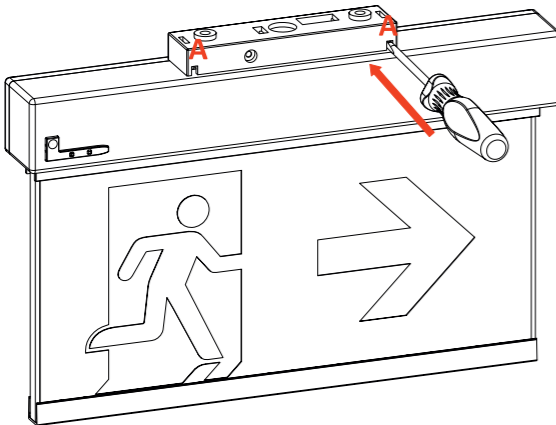
After completing the installation, the luminaire must remain connected to the mains power supply for at least 24 hours to fully charge the battery. The rated autonomy duration can only be achieved after this initial charging period.

## Luminaire disassembly



Remove the screw installed in Step 4.

1



Use a flat-blade screwdriver on both sides (A) and twist it to remove the luminaire from its base.

2

## Battery replacement

The battery replacement must be performed by qualified personnel and only after disconnecting the luminaire from the mains power supply.

To replace the battery, the entire luminaire must be disassembled. Follow the disassembly procedure described in the QR code below to replace the battery.

**NOTE:** LED= Light Emitting Diode

**LABELING EXPLANATION:**

X: Self contained

1: Maintained/Non maintained operation (\*)

A: Including test device

E: With non-replacable lamp(s) and/or battery

G: Internally illuminated safety sign

180: 3 hours duration

(\*) **Maintained operation:** The luminaire lights its illumination source, when it is powered by the mains power supply or not.

Non Maintained operation: The luminaire lights its illumination source, only in power supply's failure.

### ATTENTION

The light source of this luminaire is not user replaceable. When the light source reaches its end of life the whole luminaire shall be replaced.

## Waste Electrical and Electronic Equipment

This symbol indicates that this product must not be disposed of with household waste. Instead, it should be taken to an appropriate collection point for the recycling of electrical and electronic equipment, in accordance with local laws and regulations. Proper disposal helps protect the environment and human health from potential hazards. The batteries of the product must also be collected separately and taken to designated battery recycling points. Do not incinerate them.



### Disassembly Information

For the complete disassembly procedure of this product, please scan the QR code.

4

922502093\_09\_001

## Technical Characteristics

MODELS	MLD PRO-20/LF	MLD PRO-20/LF/C
OPERATION VOLTAGE	220-240V AC, 50-60Hz	
MAXIMUM POWER CONSUMPTION	3.2W / 3.4VA	
SUPPLY CURRENT	15mA	
OUTPUT VOLTAGE (U-OUT)	3.65V	
Prated	1.1W	
Irated	380mA	
MAX OPEN CIRCUIT VOLTAGE	3.65V	
WIRE CROSS SECTION	1 - 2.5mm <sup>2</sup>	
MINIMUM POWER FACTOR	0.94	
BATTERY (LiFePO <sub>4</sub> )	3.2V / 1.6 Ah	
INSULATION BETWEEN SUPPLY & CONTROL TERMINALS	Basic Insulation	
INSULATION BETWEEN SUPPLY & BATTERY CIRCUIT	Basic Insulation	
BATTERY PROTECTION	Deep discharge and overcharge protection The control gear will recharge the battery normally after the test of 22.3	
MIN. MAX. DISCHARGE VOLTAGE	3 - 3.64v	
MIN. MAX. DISCHARGE CURRENT	370 - 380mA	
MIN. MAX. CHARGE CURRENT	0 - 90mA	
MAX. CHARGER VOLTAGE	3.64V	
INDICATIONS / CONTROL	CHARGE / TEST BUTTON	
CHARGING TIME	24 hours	
MINIMUM DURATION	3 hours	
LIGHT SOURCE	LED (CCT: 5000K), Projected LED Lifetime: 100,000 hours (L70)	
LIGHT SOURCE LUMINOUS FLUX (MAINS)	68 lm	
LIGHT SOURCE LUMINOUS FLUX (EMERGENCY)	190 lm	
DEGREES OF COVER PROTECTION	IP20	
IMPACT PROTECTION RATING	N/A	
PRODUCED IN ACCORDANCE WITH	EN 60598-1, EN 60598-2-22, EN 55015, EN 61547, EN 61000-3-2, EN 61000-3-3	
VIEWING DISTANCE	20m	
OPERATION TEMPERATURE RANGE	5 to 50 °C	
RELATIVE HUMIDITY	Up to 95%	
CONSTRUCTION MATERIAL	ABS/PC, Acrylic Plate, PETG (Pictogram)	
CONSTRUCTION COLOR	White (RAL9003)	Anthracite (RAL7016)
DIMENSIONS	240 x 149,5 x 32 mm	
MOUNTING METHODS	Wall, Ceiling	
WEIGHT	420 g	
GUARANTEE	3 years (10 years for the battery)	

## LED Characteristics

MANUFACTURER	Olympia Electronics S.A.	
MODEL NUMBER	1902266	
VOLTAGE RANGE	2.6 - 2.8V DC	
CONNECTIONS	Build-in main PCB	
TEMPERATURE	Max. 45 °C across the board	

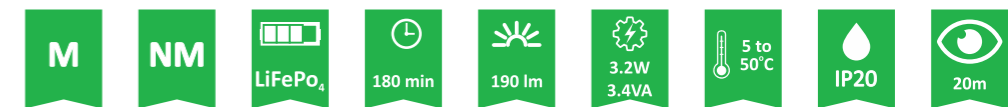
## Terms of Sales - Technical Support



72nd km. O.N.R. Thessaloniki-Katerini  
P.C. 60300 P.O. Box 06 Eginio Pierias Greece  
[www.olympia-electronics.com](http://www.olympia-electronics.com)  
[info@olympia-electronics.com](mailto:info@olympia-electronics.com)



## MAINTAINED/NON-MAINTAINED EXIT SIGN LUMINAIRES



Thank you for your trust in our products  
Olympia Electronics - European manufacturer

5

922502093\_09\_001