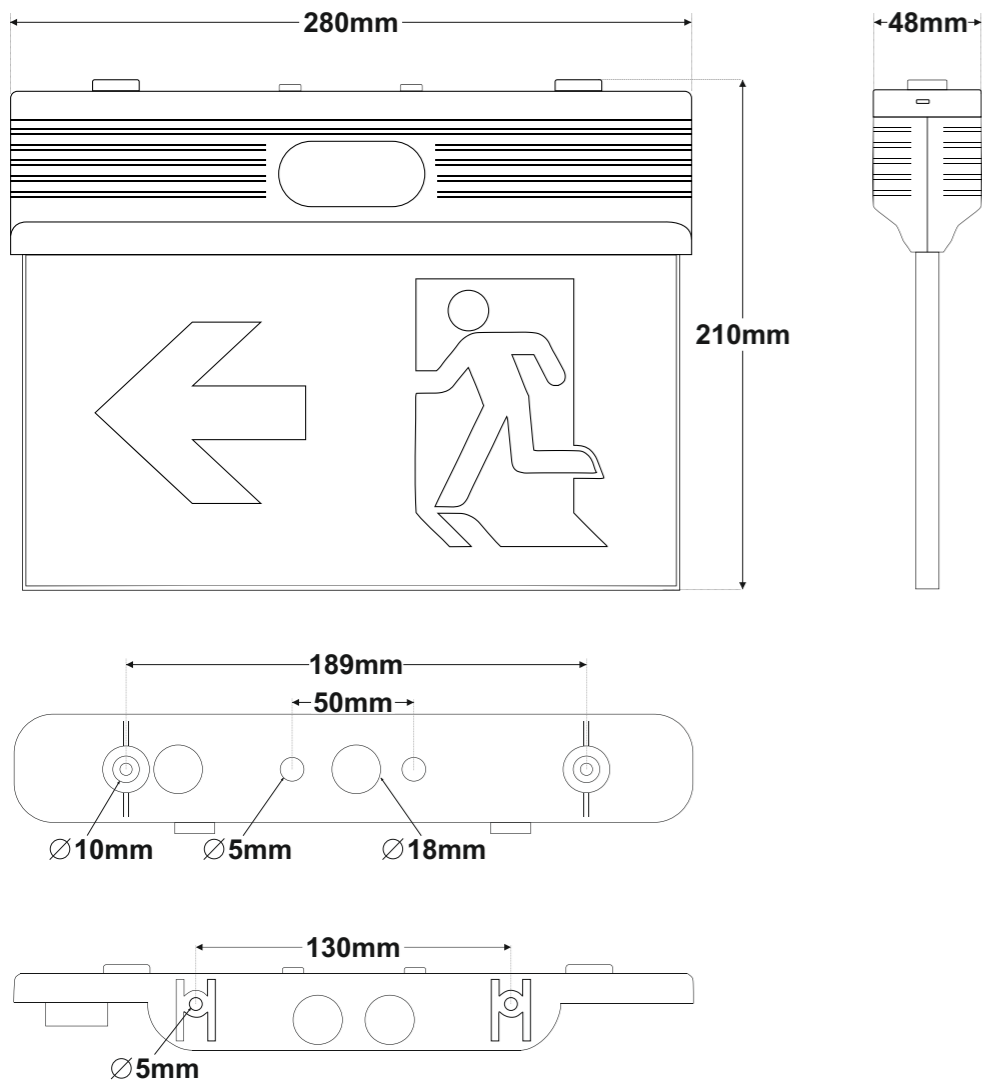


Dimensional Drawing (mm)



NOTE: LED= Light Emitting Diode

LABELING EXPLANATION:

X: Self contained

1: Maintained operation (*)

A: Including test device

G: Internally illuminated safety sign


180: 3 hours duration

X 1 1 A G 1 8 0

(*) **Maintained operation:** The luminaire lights its illumination source, when it is powered by the mains power supply or not.

Non Maintained operation: The luminaire lights its illumination source, only in mains power supply's failure.

ATTENTION!!!

 The light source contained in this luminaire shall only be replaced by the manufacturer, or his agent, or a similar qualified person.

NOTE! The light source is non-user replaceable.

Scan the QR Code to watch the disassembly procedure of the luminaire.



Technical Characteristics

PLD-25/NST	
OPERATION VOLTAGE	220-240V AC / 50-60Hz
MAXIMUM POWER CONSUMPTION	4.3W / 4.6VA
BATTERY (Ni-MH)	3.6V/1.5Ah
BATTERY PROTECTION	Deep discharge and overcharge protection / the control gear will recharge the battery normally after the test of 22.3
INSULATION BETWEEN SUPPLY & CONTROL TERMINALS	Basic insulation
INDICATIONS/CONTROLS	LED Charge / Test Button
CHARGE TIME	24 hours
MINIMUM DURATION	3 hours
LIGHT SOURCE	12 white LEDs
LIGHT SOURCE LUMINOUS FLUX (MAINS / EMERGENCY)	90lm/100lm
VIEWING DISTANCE	26m
DEGREES OF COVER PROTECTION	IP44
PRODUCED IN ACCORDANCE WITH	EN 60598-1, EN 60598-2-22, EN 55015, EN 61547, EN 61000-3-2, EN 61000-3-3
OPERATION TEMPERATURE RANGE	5 to 40 °C
RELATIVE HUMIDITY	Up to 95%
CONSTRUCTION MATERIAL	Fire retardant ABS, Acrylic plate
EXTERNAL DIMENSION (L x W x H)	280x48x210mm
WEIGHT	850gr.
GUARANTEE	3 years (1 year for the battery)

LED Characteristics

MANUFACTURER	Olympia Electronics S.A.
MODEL NUMBER	1402163
VOLTAGE RANGE	2.9-3.6V DC
NOMINAL POWER	780mW
CONNECTIONS	Non reversible connection between main pcb and led module
TEMPERATURE (tc)	45 °C max. across the board

Warranty

Olympia Electronics guarantees the quality, condition and operation of the goods. The period of warranty is specified in the official catalogue of Olympia Electronics and also in the technical leaflet, which accompanies each product. This warranty ceases to exist if the buyer does not follow the technical instructions included in official documents given by Olympia Electronics or if the buyer modifies the goods provided or has any repairs or re-setting done by a third party, unless Olympia Electronics has fully agreed to them in writing. Products that have been damaged can be returned to the premises of our company for repair or replacement, as long as the warranty period is valid.

Olympia Electronics reserves the right to repair or to replace the returned goods and to or not charge the buyer depending on the reason of defection. Olympia Electronics reserves the right to charge or not the buyer the transportation cost.



72nd km. O.N.R. Thessaloniki-Katerini
P.C. 60300 P.O. Box 06 Eginio Pierias Greece
www.olympia-electronics.com
info@olympia-electronics.gr



PLD-25/NST

MAINTAINED/NON-MAINTAINED EMERGENCY ILLUMINATION SIGNS



Thank you for your trust in our products
Olympia Electronics - European manufacturer

Package Contents

- 1 Luminaire
- 1 Mounting accessories
- 2 Set of Pictograms (R/L/DR/DL)
- 1 Manual

General

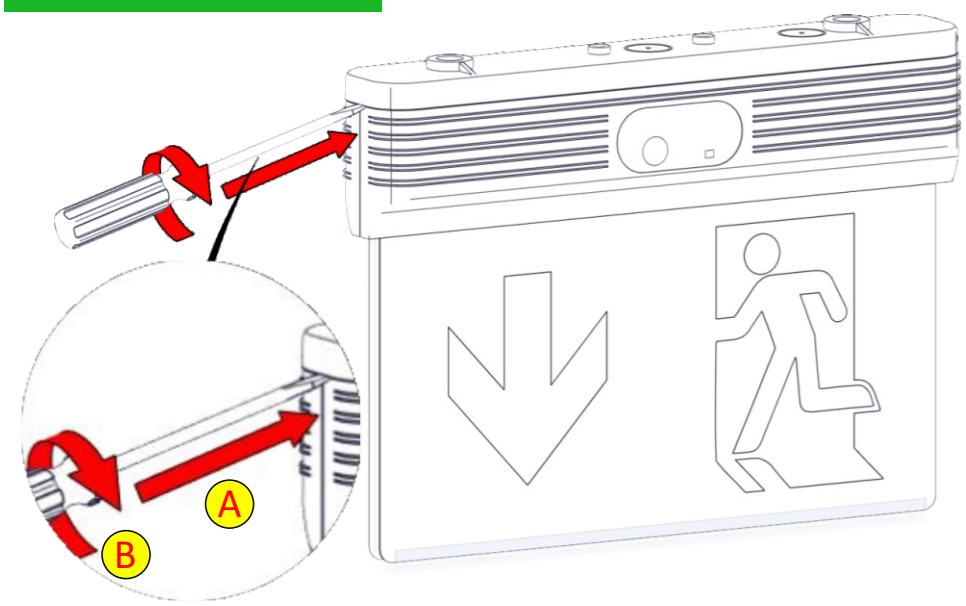
These devices are used indoors (ta 40°C) in places where emergency light is needed. Each device must be permanently connected to mains power supply. In normal operation the battery is charging. In case of a mains power supply failure, the device enters emergency mode and the illumination LED turns on. When the mains power supply is restored the device turns to normal operation.

Test Button Operation
By pressing the test button and as long as you keep pressing it, you may check the emergency operation of the luminaire. When the test button is released the luminaire turns to its normal operation.

Changing The Operating Mode
The selection between maintained or non-maintained operation is achieved by changing the position of the jumper at CN8.
M = Maintained Operation (Default Position).
NM = NON-Maintained Operation

- ATTENTION!!!**
- Operations for installation, maintenance or testing must be done by authorized personnel only.
 - Always use in any case round mains cable, with a diameter of 5-10mm (H05RN-F type 2x1mm² or any other type, at least equal to it's mechanical and electrical properties). ATTENTION!! The cable must not be deformed in any way (This requirement is important to ensure the IP rating).
 - The device must be connected to the mains power supply through a circuit breaker that depends on the total line's power load.
 - In case of battery replacement, it must be replaced by the same type, by the manufacturer or a competent person.
 - In case of inactive use for a period greater than 2 months, disconnect the battery by pulling out the battery's connector.
 - It is not allowed to discard batteries into common trash bins, they must be discarded only in battery recycling points. Do not incinerate.**

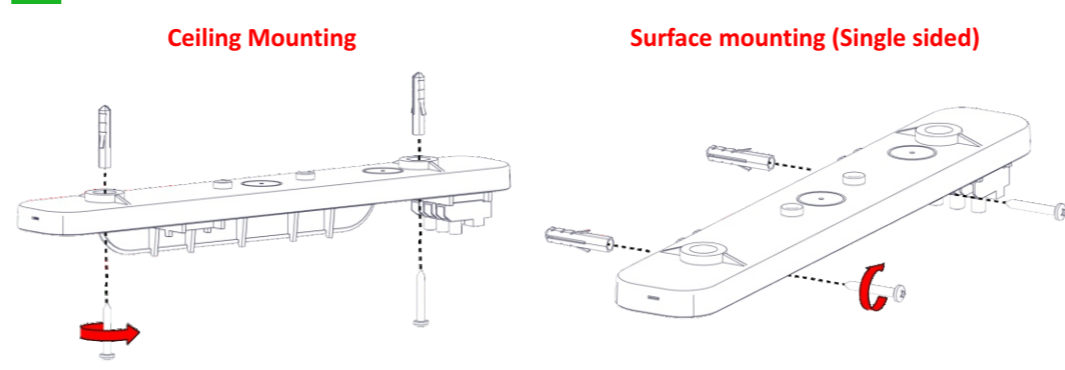
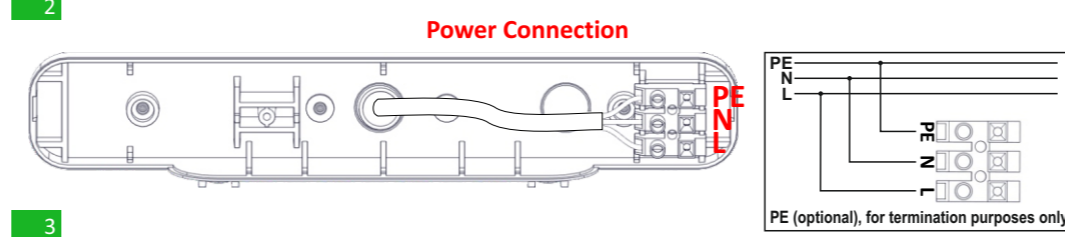
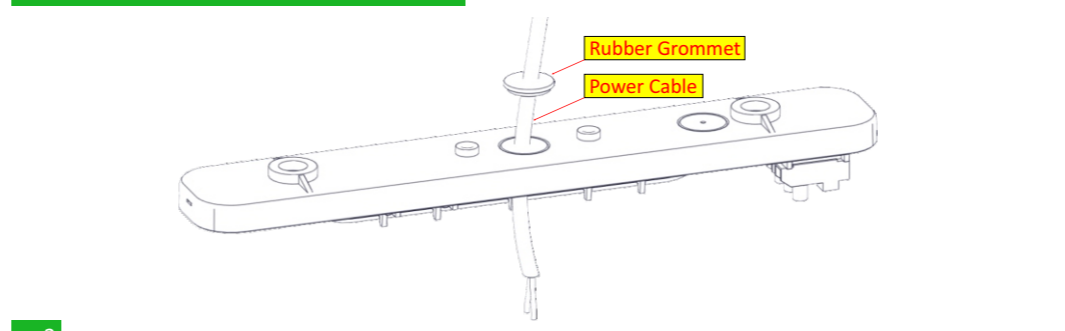
Installation Instructions



Refer to page 4 and scan the QR Code to watch the disassembly procedure.

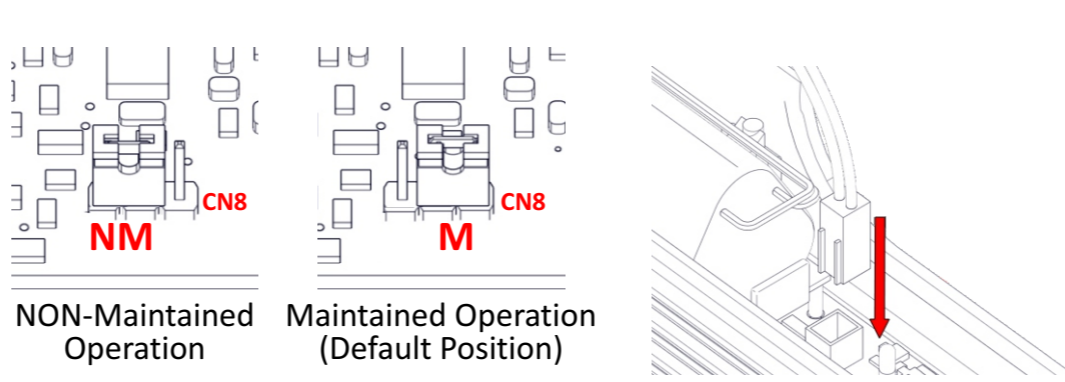
1

Installation Instructions

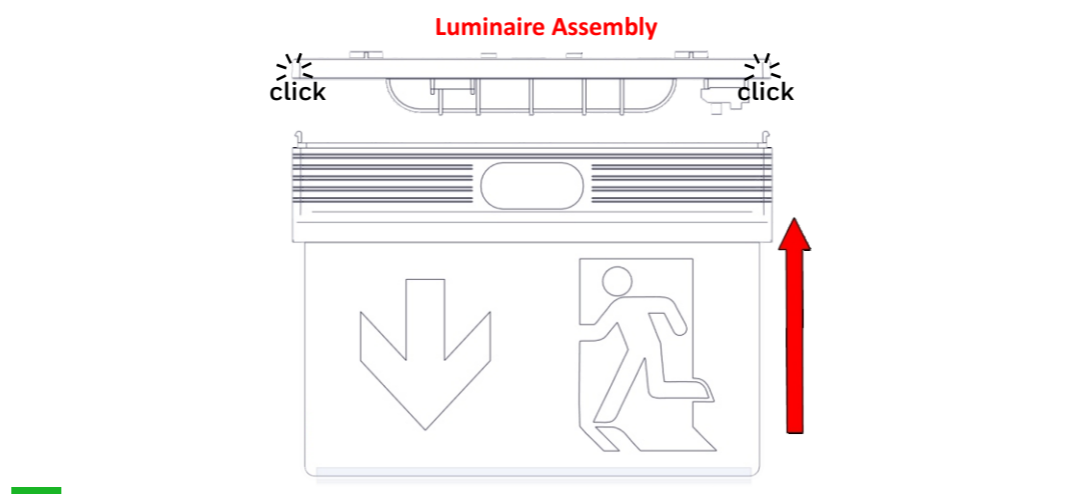


Install the included spacers, if needed.

4



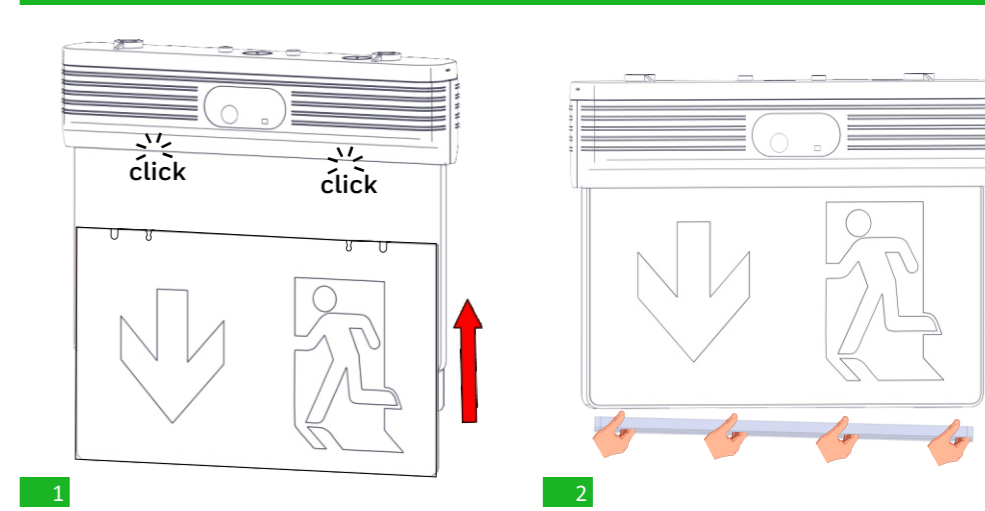
5



7

NOTE!! After finishing the installation you must power the luminaire for at least 24 hours for battery charging to perform the nominal autonomy.

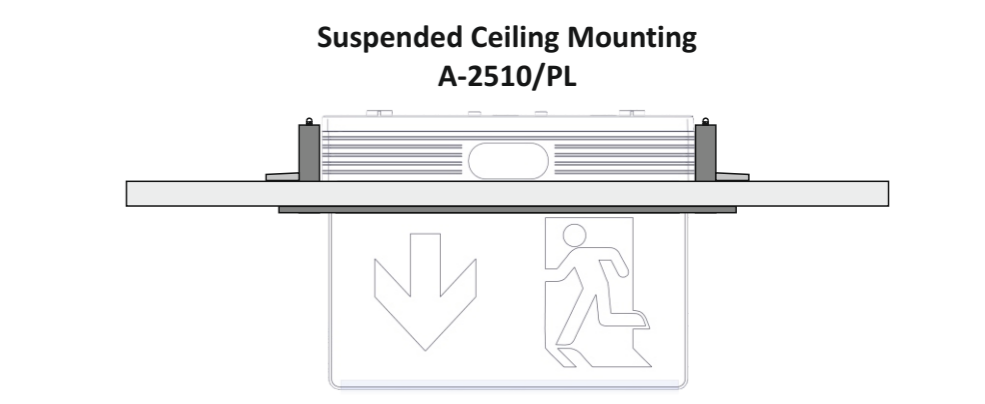
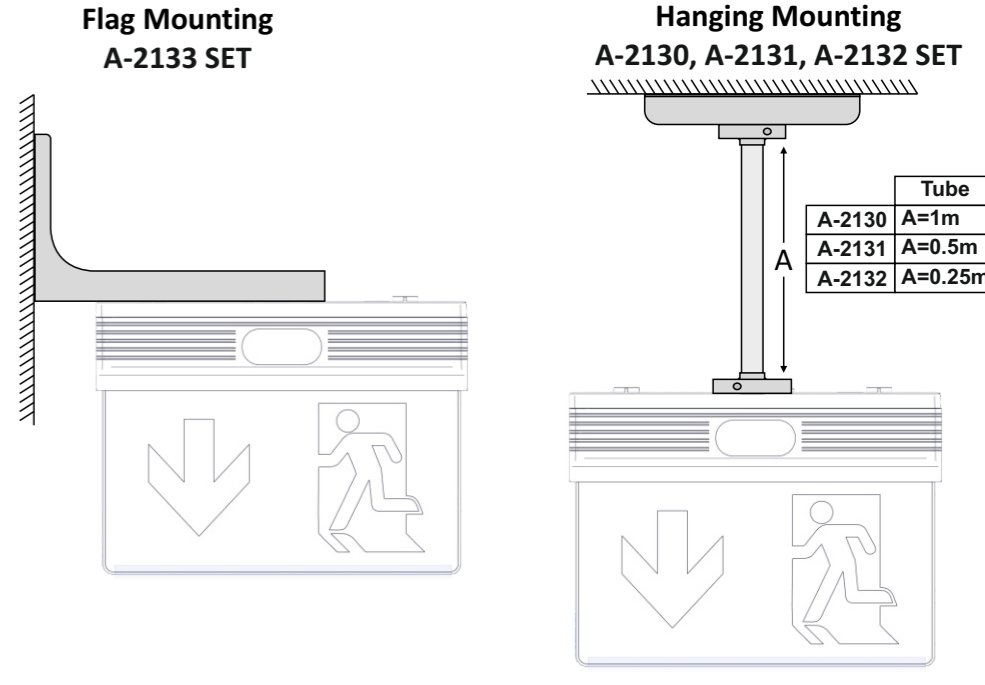
Pictogram Installation



Battery Replacement

- Power off the luminaire.
- Dismantle the luminaire (Step 1 of installation instructions).
- Remove the old battery and place a new one of the same type and characteristics.
- Assembly the luminaire.
- Power on the luminaire.

Optional Mounting Methods (Upon Request)



3