

LLB-26/CBS/24V/ADR

ADDRESSABLE EDGE ILLUMINATION SIGN FOR GR-8600 CBS



TECHNICAL CHARACTERISTICS (for LED MODULE Specifications see page 1)

Mains voltage	15-30V DC
Maximum power consumption	2.5W
Light source intensity	300lm
Degrees of cover protection	IP 44
Produced in accordance with	EN 60598-1, EN 60598-2-22, EN 55015, EN 61547
Operation temperature range	-30 to 50 °C
Relative humidity	up to 95%
Viewing distance	26 m
Construction materials	Aluminum, ABS/PC, PC, Plexiglass
External dimensions	240x35x179mm
Typical weight	745 gr.
Guarantee	3 years

Thank you for your trust in our products Olympia Electronics - European manufacturer

GENERAL

- Operations for installation, maintenance or testing must be done by authorized personnel only.
- The device, must be connected **only** to the GR-8600 panel via its ADR line.
- First set the address before installation. To address the device see on page 5.

ADDRESS OPERATION

For address operations refer to the installation manual of the panel. *Please see manual of CBS panel GR-8600 for maximum number of luminaires that can be interconnected.*

LED MODULE CHARACTERISTICS

LLB-26/CBS/24V/ADR

Manufacturer	Olympia Electronics S.A
Model Number	2405185
Voltage Range	13-14.5V DC
Nominal Power	1.95W
Connections	Embedded on the main pcb
Temperature (tc)	45 °C max. across the board



The light source contained in this luminaire shall only be replaced by the manufacturer, or his agent, or a similar qualified person.

NOTE! The light source is non-user replaceable.

NOTE: LED= Light Emitting Diode

LABELING EXPLANATION:

Z: Central supply

1: Maintained

C: Including inhibiting mode

G: Internally illuminated safety sign

INSTALLATION INSTRUCTIONS

ELECTRICAL CONNECTIONS (after the mains interruption)

- ① Unfasten the two side cover screws and remove the plastic cap by sliding it gently.
- ② Install the gaskets and make holes at the center of each gasket by using a small screwdriver. Pass the round cable through the gaskets.
- ③ Pass the communication cables through the holes and connect them as shown in the picture when there are other luminaires to be connected to the line (minding the correct polarity).
- ④ If the luminaire you installed is the last one connect the cable to one of the two inputs, as shown on the picture (minding the correct polarity).
- ⑤ Address the device though the dipswitch according to the table on page 5.
- ⑥ Replace the removed parts in the previous steps.

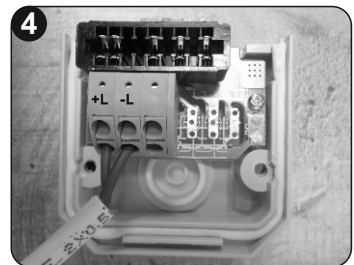
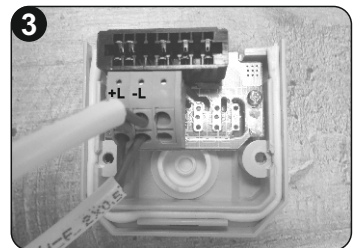
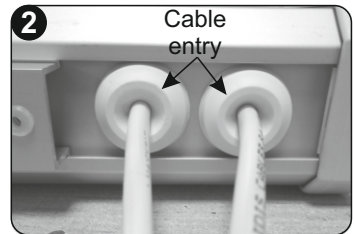
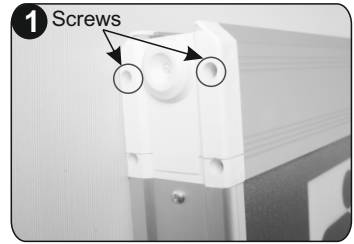
SURFACE MOUNTING ON A WALL (single sided)

- ⑦ Install the included plastic bracket on the wall (figure 1). Remove the aluminum bracket from the luminaire and use the two supplied mounting screws to install the aluminum bracket to the plastic bracket (figure 2). Slide the luminaire to the aluminum bracket and use the bolt on the center (*), to stabilize the luminaire (figure 2).

CEILING MOUNTING (double sided)

- ⑧ Remove the aluminum bracket from the luminaire and install it with the included spacers, screws and plugs in the ceiling (page 3). Slide the luminaire to the aluminum bracket and use the bolt on the center (*), to stabilize the luminaire (figure 4).
- ⑨ Power on the device at the end of the installation (see GR-8600 manual).

(*) First, hand tighten it and then, use pliers to tighten it little bit more (not all the way).



MOUNTING METHODS

SURFACE MOUNTING ON A WALL (single side luminaire)

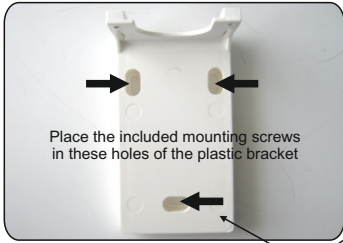


Figure 1

Plastic bracket

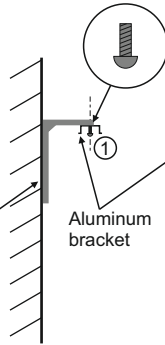


Figure 2. Side view

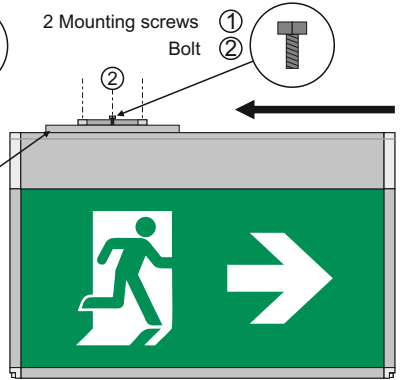
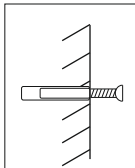


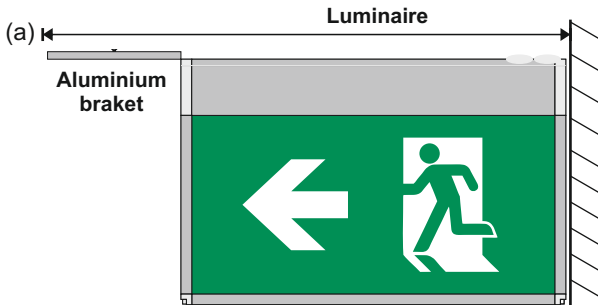
Figure 3. Front view



GENERAL!!

Measure the distance of the mounting holes and after the drilling place on these spots the mounting plugs and fasten the base with the mounting screws.

SIDE WALL CLEARANCE



Depending on the size of the luminaire the distance from the side wall must be more than:

(a): LLB 26: 440mm

CEILING MOUNTING (double side luminaire)

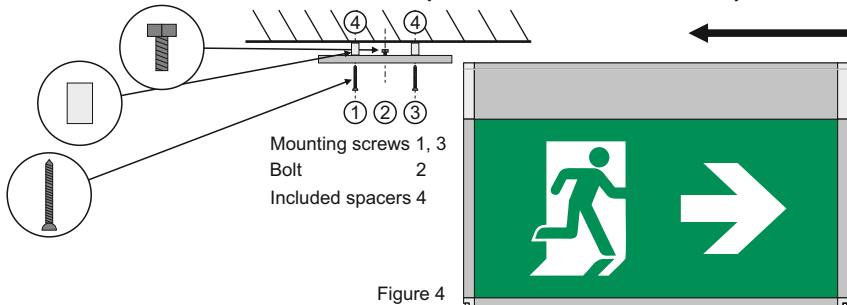
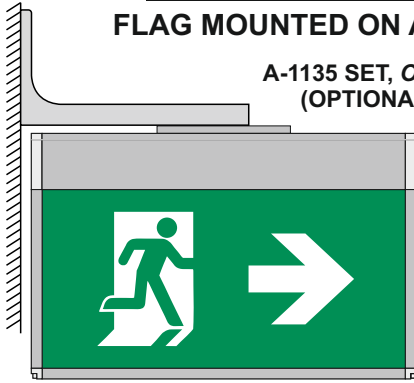


Figure 4

ALTERNATIVE MOUNTING METHODS

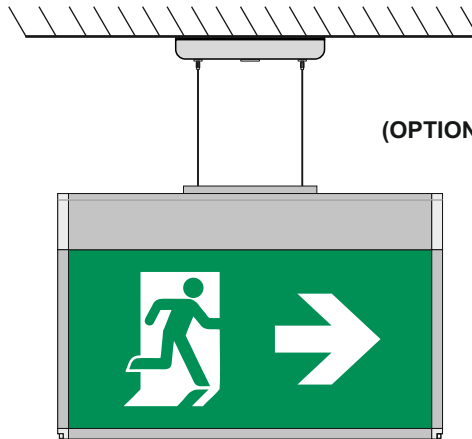
FLAG MOUNTED ON A WALL (double side luminaire)

A-1135 SET, ONLY FOR PROFILUX-26
(OPTIONAL AFTER REQUEST)



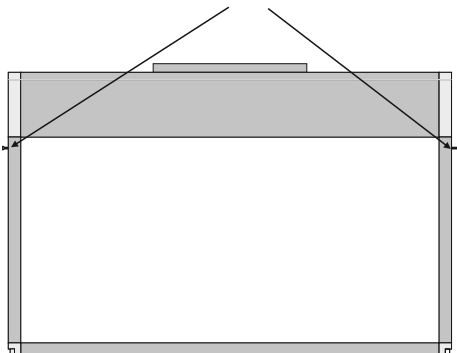
HANGING INSTALLATION (double side luminaire)

A-1136 SET
(OPTIONAL AFTER REQUEST)



INSTALLATION PICTOGRAMMS

1. Unfasten the two screws of the luminaire.



2. Insert the pictogram after removing the protective film from the back side.



3. Carefully fit the top aluminium cover and reinstall the retaining screws.

Addressing Table

Address	Dipswitch setting	Address	Dipswitch setting	Address	Dipswitch setting	Address	Dipswitch setting
1	ON 	11	ON 	21	ON 	31	ON
2	ON 	12	ON 	22	ON 	32	ON
3	ON 	13	ON 	23	ON 		
4	ON 	14	ON 	24	ON 		
5	ON 	15	ON 	25	ON 		
6	ON 	16	ON 	26	ON 		
7	ON 	17	ON 	27	ON 		
8	ON 	18	ON 	28	ON 		
9	ON 	19	ON 	29	ON 		
10	ON 	20	ON 	30	ON 		

WARRANTY

Olympia Electronics guarantees the quality, condition and operation of the goods. The period of warranty is specified in the official catalogue of Olympia Electronics and also in the technical leaflet, which accompanies each product. This warranty ceases to exist if the buyer does not follow the technical instructions included in official documents given by Olympia Electronics or if the buyer modifies the goods provided or has any repairs or re-setting done by a third party, unless Olympia Electronics has fully agreed to them in writing. Products that have been damaged can be returned to the premises of our company for repair or replacement, as long as the warranty period is valid. Olympia Electronics reserves the right to repair or to replace the returned goods and to or not charge the buyer depending on the reason of deflection. Olympia Electronics reserves the right to charge or not the buyer the transportation cost.

HEAD OFFICE

72nd km. O.N.R. Thessaloniki-Katerini
P.C. 60300 P.O. Box 06 Eginio Pierias Greece
www.olympia-electronics.gr
info@olympia-electronics.gr