


NOTE: LED= Light Emitting Diode
LABELING EXPLANATION:
X: Self contained
0: Non Maintained (*)
A: Including test device
F: Automatic test gear complying with IEC 61347-2-7 denoted EL-T
180: 3 hours duration

X0AF180

(*) **Non Maintained operation:** The luminaire lights its illumination source, only in power supply's failure.
Maintained operation: The luminaire lights its illumination source, when it is powered by the mains power supply or not.

 *The light source contained in this luminaire shall only be replaced by the manufacturer, or his agent, or a similar qualified person.*

NOTE! *The light source is non-user replaceable.*

LED MODULE CHARACTERISTICS

GRL-29

| | |
|------------------|--|
| Manufacturer | Olympia Electronics S.A. |
| Model Number | 2002163 |
| Voltage Range | 19-23V |
| Nominal Power | 4.9W |
| Connections | Cable connection between main pcb and led module |
| Temperature (tc) | 60 °C max. across the board |

WARRANTY

Olympia Electronics guarantees the quality, condition and operation of the goods. The period of warranty is specified in the official catalogue of Olympia Electronics and also in the technical leaflet, which accompanies each product. This warranty ceases to exist if the buyer does not follow the technical instructions included in official documents given by Olympia Electronics or if the buyer modifies the goods provided or has any repairs or re-setting done by a third party, unless Olympia Electronics has fully agreed to them in writing. Products that have been damaged can be returned to the premises of our company for repair or replacement, as long as the warranty period is valid.

Olympia Electronics reserves the right to repair or to replace the returned goods and to or not charge the buyer depending on the reason of deflection. Olympia Electronics reserves the right to charge or not the buyer the transportation cost.

HEAD OFFICE

72nd km. O.N.R. Thessaloniki-Katerini
P.C. 60300 P.O. Box 06 Eginio Pierias Greece
www.olympia-electronics.gr
info@olympia-electronics.gr



SELF TESTING NON MAINTAINED EMERGENCY LUMINAIRE



TECHNICAL CHARACTERISTICS (for LED MODULE Specifications see page 4)

| | GRL-29 |
|-----------------------------|---|
| OPERATION VOLTAGE | 220-240V AC/50-60Hz |
| MAXIMUM POWER CONSUMPTION | 12.6W/13.1VA |
| BATTERIES (Pb) | 12V/7Ah |
| BATTERY PROTECTION | From overcharge and deep discharge |
| INDICATIONS - CONTROLS | POWER-CHARGE indicator, LAMP FAULT-BATT. FAULT indicator, TEST button |
| CHARGING TIME | 24h |
| MINIMUM AUTONOMOUS DURATION | 180 min |
| LIGHT SOURCE | White LEDs |
| EMERGENCY ILLUMINATION | 1760lm |
| DEGREES OF COVER PROTECTION | IP42 |
| PRODUCED IN ACCORDANCE WITH | EN 60598-1, EN 60598-2-22, EN 55015, EN 61547, EN 61000-3-2, EN 61000-3-3 |
| OPERATION TEMPERATURE RANGE | 5 to 40 °C |
| RELATIVE HUMIDITY | Up to 95% |
| CONSTRUCTION MATERIALS | ABS/PC, PC |
| EXTERNAL DIMENSIONS | 302 x 94 x 345 mm |
| TYPICAL WEIGHT | 3442gr. |
| GUARANTEE | 3 years (1 year for the battery) |

**Thank you for your trust in our products
Olympia Electronics - European manufacturer**

GENERAL

These luminaires are used indoors (ta 40°C) where emergency light is needed. Each luminaire must be connected permanently to the mains power supply.

supply failure and when the battery has been fully discharged. In this state the luminaire draws the least power from the battery in order to prevent deep discharge.

OPERATION DESCRIPTION

When the unit is connected to the mains power supply (after connecting the battery) the indicator LAMP FAULT – BATT. FAULT remains OFF whereas the indicator POWER CHARGE blinks to indicate that the batteries are charging. When the batteries are fully charged this indicator will light permanently. If this indicator does not light then probably the battery has not been connected. If the batteries are connected and the indicator does not light then contact a qualified service technician for assistance. The charging procedure is monitored by a microprocessor and is based on a 3 stage cycle thus ensuring a fast and full charge of the battery. The charge current is supplied by a high efficiency switch mode power supply which ensures perfect charging even during the fluctuations of the mains power supply.

MANUAL TESTING

Is accomplished by briefly (<1 sec.) pressing the TEST button. This permits the user to test the good operation of the luminaire's emergency circuit. The unit simulates a power failure and the lamps are lit using the batteries. This manual test does not affect the automatic test.

DIMMING OPTION

When the luminaire is in emergency mode, with corresponding pressings of the button, we can choose the illumination of 100%, 50%, 33% or turned off, either to increase the autonomy time or not to consume the battery power unnecessarily. This option is canceled when the network is restored.

LAMP TESTING

The luminaire tests the good condition of the lamps in emergency mode and warns the user for probable malfunction. If a lamp is found faulty then the LAMP FAULT indicator starts to blink. To verify which lamp is faulty use the TEST button. If

BATTERY CUTOFF

The unit enters this state during the power

the faulty lamp is replaced then the error is automatically restored and the indicator is turned OFF.

AUTOMATIC EMERGENCY CIRCUIT TEST

The unit automatically tests the emergency circuit every 15 days (if the battery and mains power are connected). During this test the lamps are turned ON for 3 seconds using the batteries. In some cases this function might not be acceptable (i.e in cases this function might not be acceptable (i.e in cinema theaters) so the installer must take this into account during the installation.

AUTOMATIC DURATION TEST

This test is conducted every 6 months by simulating a power failure, if the battery and mains power supply are connected. The unit lights the lamps using the charged battery and counts the time until the stated duration. If the lamps are ON during the end of the test then the unit is restored to its normal operation (lamps OFF and battery charging). If the lamps go OFF before the end of the test then the unit is restored to its normal operation but the LAMP FAULT / BATT. FAULT indicator is lit to show that there is a problem with the battery and that the battery must be replaced. Let it be noted that this duration test is also done during every long power failure. If the power failure lasts for a long time and the luminaire has entered the BATTERY CUTOFF mode and the duration measured is not correct then the fault indicator will light when the power is restored.

ERASING ERRORS

Erasing errors is accomplished with a prolonged pressing of the TEST button (>5 sec) when the unit is connected to the mains power supply. The fault indicated with the indicator LAMP FAULT / BATT. FAULT will be erased. If the cause of the fault has not been restored (i.e burned lamp) then the indicator will light again. If the fault was caused by a low emergency duration and you erase the error then this will be indicated again during the next duration test after 6 months. In this case (for duration errors) it is vital to replace the battery before erasing the error (the error is automatically erased if the mains power and the

battery are disconnected).

WARNING !!!

1. Every test, installation or maintenance procedure must be done only by qualified personnel.
2. The unit must be connected to the mains power supply using a line fuse rated accordingly.
3. The replacement of the battery and the light source must be done using parts of the same type, by the manufacturer or by a competent person.
4. If the luminaire must be isolated from the mains power supply for more than 2 months then the batteries must be disconnected by removing the battery connectors.
5. **It is not allowed to discard batteries in to common trash bins, they must be discarded only in battery recycling points. Do not incinerate.**

Battery replacement

It can be done only by a competent person and after the mains interruption.

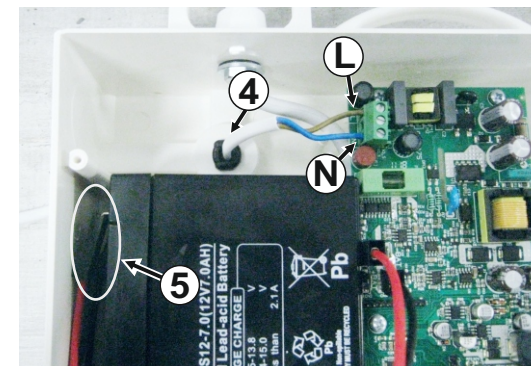
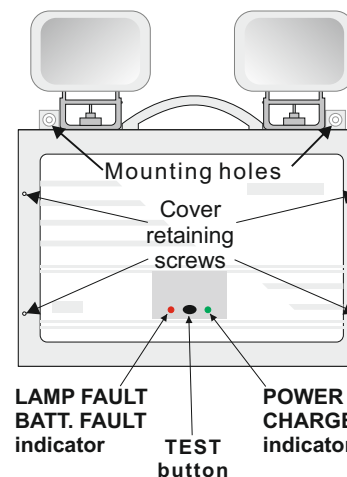
1. Follow the step 2 of the installation procedure.
2. Disconnect the cables and remove the old battery.
3. Connect the new battery with the same type (step 3 of the installation procedure) and place it in the position of the old one.
4. Follow the step 6 of the installation procedure and power the device.

INDICATION LED STATUS (with the mains power supply connected)

| POWER / CHARGE | | LAMP FAULT / BATT. FAULT | |
|----------------|-------------------------------------|--------------------------|--|
| ○ | Disconnected battery / not charging | ○ | Normal operation mode |
| ● | Charged battery | ● | Low emergency duration (replace battery) |
| ⚡ | Battery under charge | ⚡ | Lamp fault (Check lamps and replace if needed) |

○ Indicator OFF ● Indicator ON ⚡ Indicator Blinking

INSTALLATION PROCEDURE (wall installation only)



1. Use the supplied mounting accessories to mount the device.
2. Remove the four cover retaining screws.
3. **Always use in any case round mains cable, with external diameter of 6-9mm (H05RN-F type 2x1mm² or any other type, at least equal to it's mechanical and electrical properties). ATTENTION!! The cable must not be deformed in any way.** Install the cable grommet and pass the round cable.
4. Connect the cables to the respective positions in the terminal block **L for phase and N for neutral.**
5. Install the battery cable connectors to the batteries taking care of the polarity, black cable (-) and red cable(+).
6. Reinstall the front cover and fasten the retaining screws. (Tightening torque 1N*m). Pay attention to the 4 sealing o-rings.

WARNING!! After the installation has finished, charge the batteries for at least 24 hours so as to obtain the rated autonomous duration.