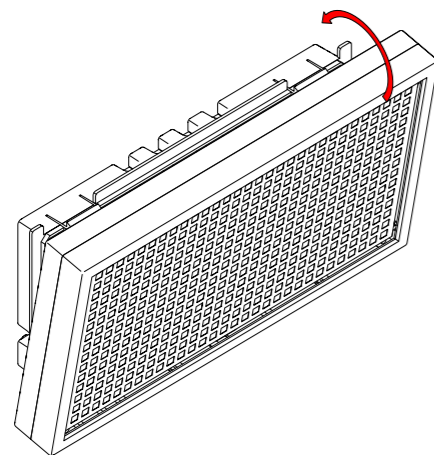


Connect the panel's cables to the appropriate connectors on the terminal block:  
**CN1** is used for the downlight located at the bottom of the luminaire.  
**CN6** is used to supply power to the panel.  
**CN2** is used for connecting the panel.  
**It is recommended to connect the power supply cable to the panel (CN6) last.**

6



Place the screen back onto the luminaire base, ensuring the correct orientation.

7

**NOTE:** LED= Light Emitting Diode

**LABELING EXPLANATION:**

Z: Central Supply


1: Maintained/Non maintained operation (\*)

G: Internally illuminated safety sign

(\*) Maintained operation: The luminaire lights its illumination source, when it is powered by the mains power supply or not.

Non Maintained operation: The luminaire lights its illumination source, only in power supply's failure.

**ATTENTION**

 The light source of this luminaire is not user replaceable. When the light source reaches its end of life the whole luminaire shall be replaced.

### Technical Characteristics

	DN-100 DN-101	DN-100/C DN-101/C
OPERATION VOLTAGE	220 - 240V AC / 50-60Hz	
MAXIMUM POWER CONSUMPTION	9W / 9.4VA	
SUPPLY CURRENT	38.6mA	
WIRE CROSS SECTION	0.8 - 2.5mm <sup>2</sup>	
MINIMUM POWER FACTOR	0.96	
INSULATION BETWEEN SUPPLY & CONTROL TERMINALS	Basic Insulation	
DOWNLIGHT LIGHT SOURCE*	2 White Power LED	
DOWNLIGHT LUMINOUS FLUX (MAINS)*	175lm	
DEGREES OF COVER PROTECTION	IP20	
PRODUCED IN ACCORDANCE WITH	EN 60598-1, EN 60598-2-22, EN 55015, EN 61547, EN 61000-3-2, EN 61000-3-3	
OPERATION TEMPERATURE RANGE	-25 - 50°C	
CONTROL GEAR MAX. TEMPERATURE: tc	69°C at D5	
RELATIVE HUMIDITY	Up to 95%	
CONSTRUCTION MATERIAL	ABS/PC, PC	
MATERIAL COLOR	White	Anthracite
EXTERNAL DIMENSIONS (L x W x H)	277 x 150 x 56 mm	
WEIGHT	680gr	
GUARANTEE	3 years	

### LED Characteristics\*

MANUFACTURER	Olympia Electronics S.A.	
MODEL NUMBER	0107245	
VOLTAGE RANGE	2.5V - 3V	
NOMINAL POWER (1h / 3h / 8h)	0.8W	
CONNECTIONS	Cable connection	
TEMPERATURE (tc)	43°C max. across the board	

**\*NOTE! Led Characteristics and downlight are referred only for DN-1002 & DN-1003 Models**

### Warranty



72nd km. O.N.R. Thessaloniki-Katerini  
P.C. 60300 P.O. Box 06 Eginio Pierias Greece

[www.olympia-electronics.com](http://www.olympia-electronics.com)  
[info@olympia-electronics.com](mailto:info@olympia-electronics.com)



**CBS DYNAMIC DISPLAY  
LUMINAIRES 230V**

**Thank you for your trust in our products  
Olympia Electronics - European manufacturer**

## Package Contents

- 1 Luminaire
- 1 Mounting accessories
- 1 Lens accessories
- 4 (2 x Anti-Panic 2 x Escape Route)
- 1 Manual

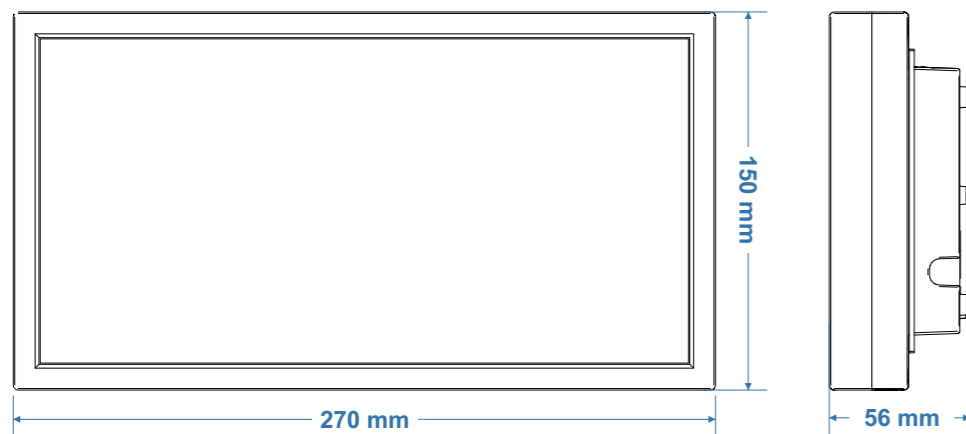
## General

These luminaires are intended for use in indoor environments (ta 50°C), where CBS-type emergency lighting is required. Each luminaire must be permanently connected to the mains power supply.

### CAUTION!

1. All installation, maintenance, or inspection work must be carried out only by qualified personnel.
2. Use a cylindrical power cable with a diameter of 5–10 mm (type H05RN-F 2x1mm<sup>2</sup> or a cable with at least equivalent mechanical and electrical characteristics). **CAUTION:** The cable must not be deformed, as this requirement is critical to maintain the IP protection rating.
3. The device must be connected to the mains power supply through an automatic circuit breaker.

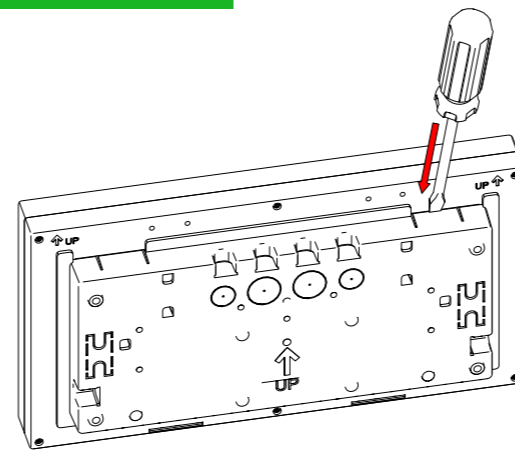
## Dimensional drawing 277 x 150 x 56 (mm)



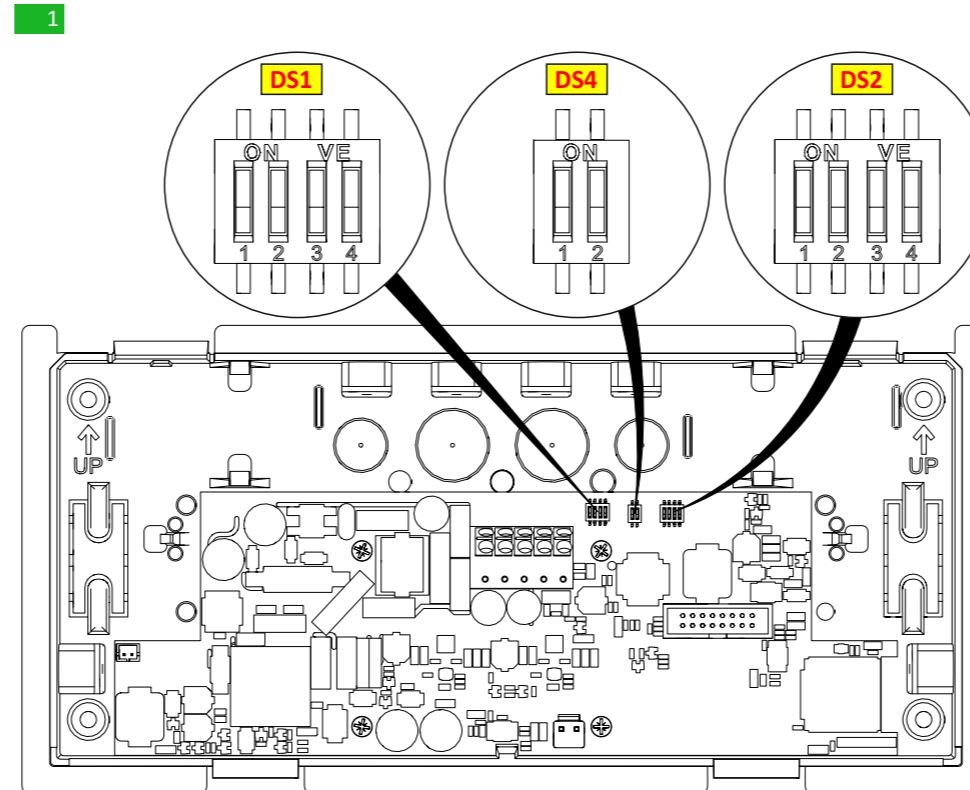
## Accessories (Upon request)

- 927301800 A-3018 Suspended ceiling mounting spring
- 927341300 A-4130 Ceiling mounting rod accessories (1m) for DYNAMIC Series
- 927341301 A-4130/C Ceiling mounting rod accessories (1m) for DYNAMIC Series anthracite color
- 927341310 A-4131 Ceiling mounting rod accessories (0.50m) for DYNAMIC Series
- 927341311 A-4131/C Ceiling mounting rod accessories (0.50m) for DYNAMIC Series anthracite color
- 927341320 A-4132 Ceiling mounting rod accessories (0.25m) for DYNAMIC Series
- 927341321 A-4132/C Ceiling mounting rod accessories (0.25m) for DYNAMIC Series anthracite color

## Installation



Place a flat-bladed screwdriver into both notches to disassemble the screen from its base.



### DS1, DS2, DS4 FUNCTIONS (SCREEN ADJUSTMENTS)

The user has the ability to change the screen icons by adjusting the switches located at positions **DS1, DS2, and DS4**.

#### DS1

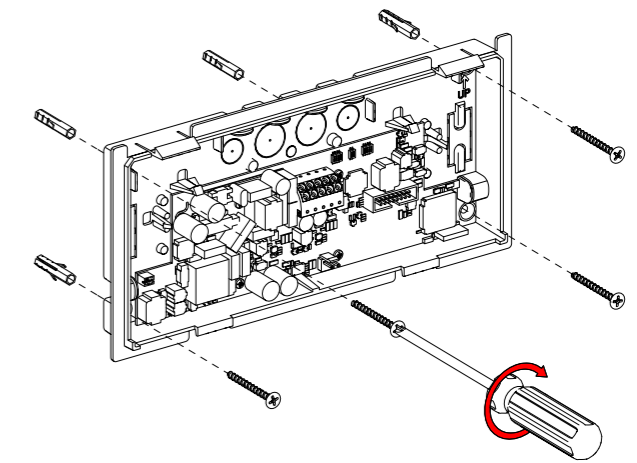
Adjustment of the icons during the normal operation of the luminaire. The user can select one of 16 different icons by using the switches of DS1. For the switch settings, please refer to the additional leaflet included in the packaging.

#### DS4

Adjustment of the icon mode (Static/Moving). The user can set the icon mode by using the switches of DS4. When the switch is in the OFF position, the icons are static, while when the switch is in the ON position, the icons are moving. Switch 1 is used for the normal operation of the luminaire while switch 2 is used for the alarm operation of the luminaire.

#### DS2

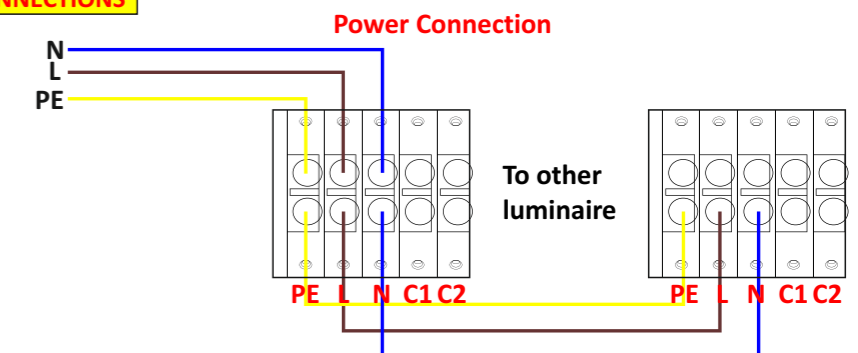
Adjustment of the icons during the alarm operation of the luminaire. The user can select one of 16 different icons by using the switches of DS2. For more information regarding the alarm function, please refer to the CONNECTIONS section. The switch settings are the same as those of DS1.



Mount the luminaire's base to the wall with the including mounting accessories.

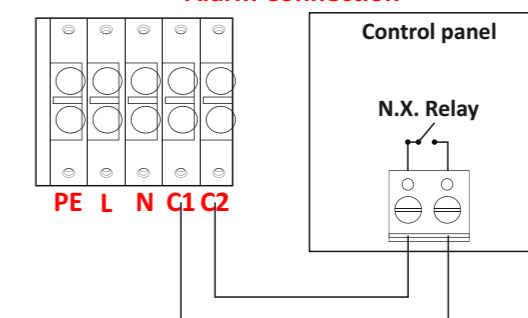
3

### CONNECTIONS

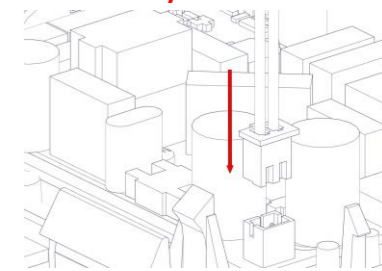


Pass the round cable through the pre-open holes. Connect the mains cable to the respective terminal block: L for live wire, N for neutral and PE for the ground wire. Power supply cables cross section should be 0.8–2.5 mm<sup>2</sup>.

### Alarm Connection

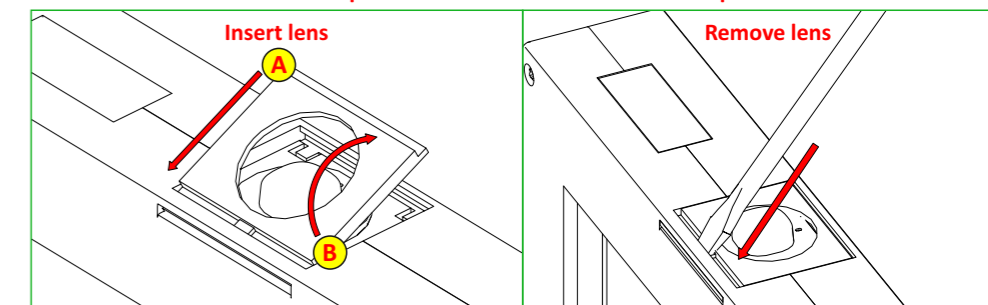
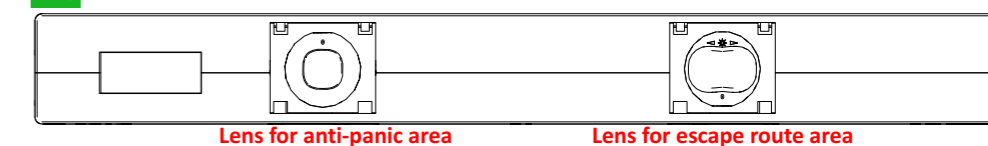


### Battery Connection



The luminaire has the capability to connect to any control panel that can send an alarm signal. Once the alarm is activated by the panel, the luminaire's icons change according to the user's selection from DS2. For this function to work, it is necessary to connect the terminal block of the panel to the terminal block of the luminaire at the C1 and C2 poles.

4



On the bottom side of the luminaire, there are two power LEDs, which are used for lighting in open areas or for escape routes, depending on the lens you will use. Install the desired lens and then place the protective cover.

**ATTENTION!** This step is required only for models that have downlight lighting.

5

3