

Package Contents

- 1 Luminaire
- 3 Pictograms (R/L/D)
- 1 Mounting accessories
- 1 Manual

General

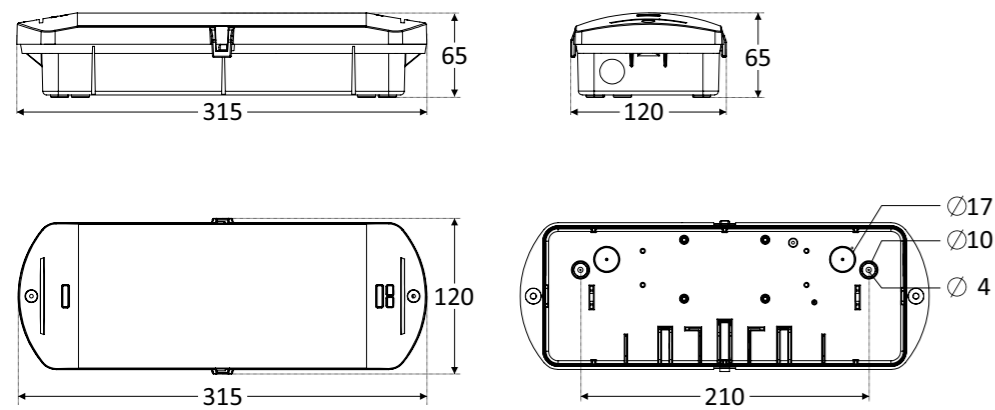
These devices are used in places (ta 50°C) where emergency light is needed (CBS). Each device must be permanently connected to mains power supply.

ATTENTION!!!

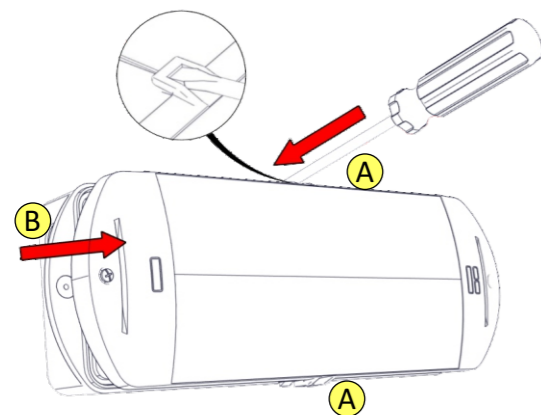
1. Operations for installation, maintenance or testing must be done by authorized personnel only.
2. Always use in any case round mains cable, with a diameter of 5-10mm (H05RN-F type 2x1mm² or any other type, at least equal to it's mechanical and electrical properties). ATTENTION!! The cable must not be deformed in any way (This requirement is important to ensure the IP rating).

Dimensional drawing:

315 x 120 x 65 mm



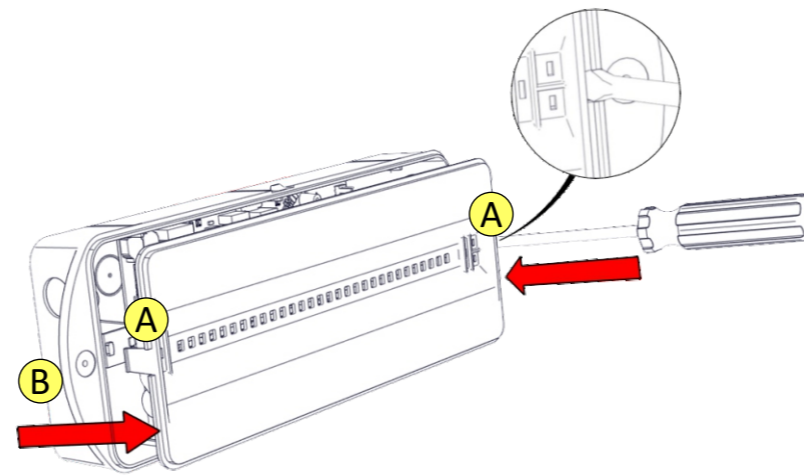
Installation



To dismantle the luminaire, simply remove the difussor.

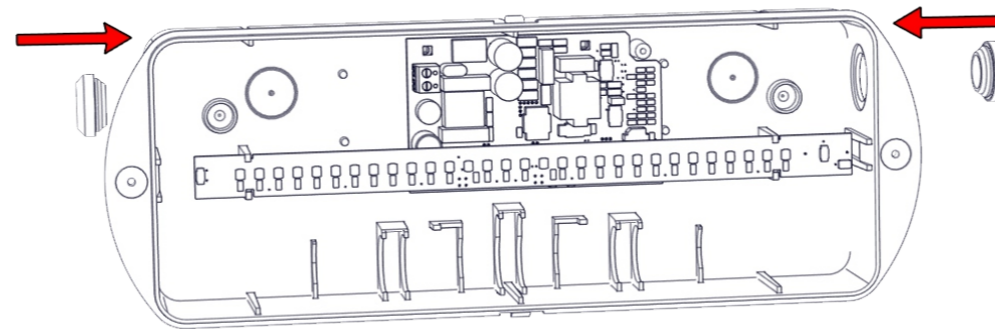
ATTENTION! If the 2 plastic latches (A) are clipped, carefully insert a flat-blade screwdriver to unclip them. Then, gently lift the diffuser (B) upwards to detach it.

1



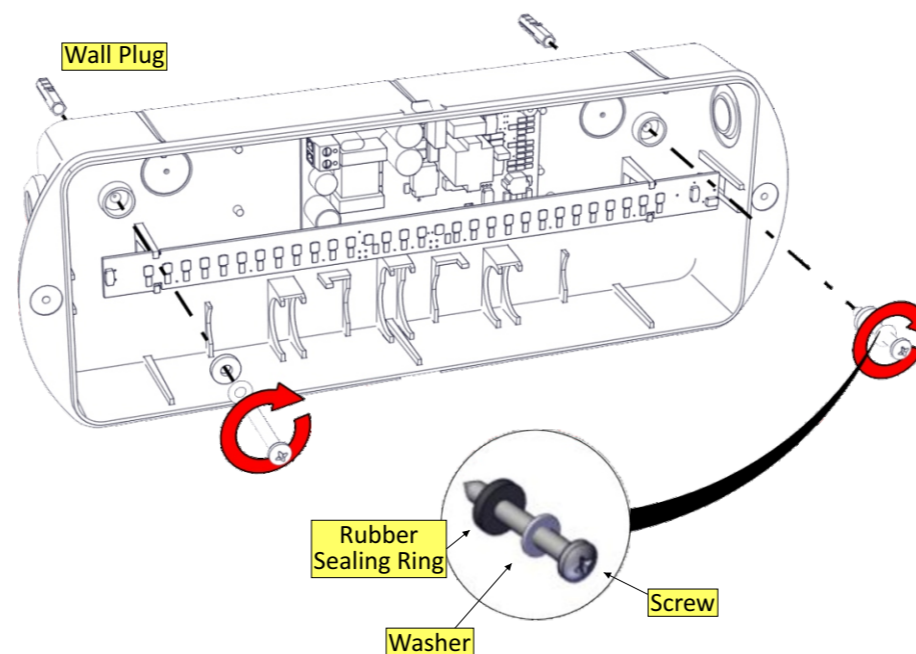
Place a flat blade screwdriver to the recesses (A) and pull up gently the reflector (B) to remove it.

2



Install the two rubber gaskets to the holes of the base. Make sure that they are not deformed.

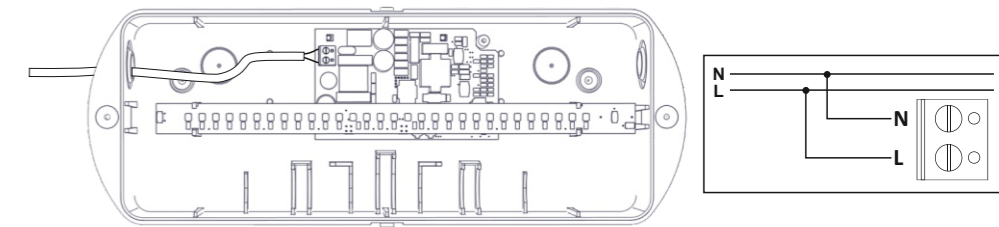
3



Install the plastic base (with the included mounting accessories).

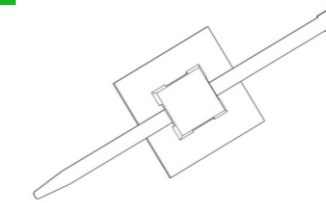
WARNING!! To preserve the IP65 rating, fit the screws with the metallic washers and rubber sealing rings.

4



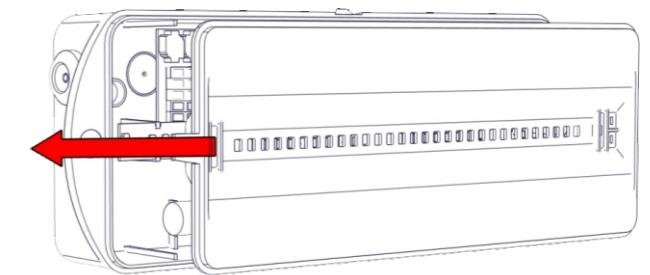
Make a hole in the center of the rubber gasket by using a small screwdriver. Pass the round cable through the rubber gasket. Connect the mains cable according to the connections diagrams above. **N** for neutral, **L** for live wire **WARNING!!** Isolate the mains power supply before making the connections.

5



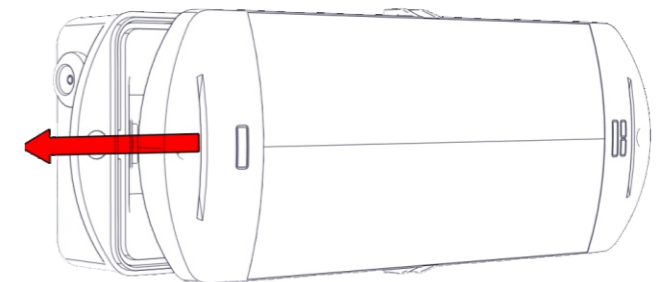
Install the included tie-wrap to the adhesive tether loop and fasten securely the power cable in order to anchor it.

6



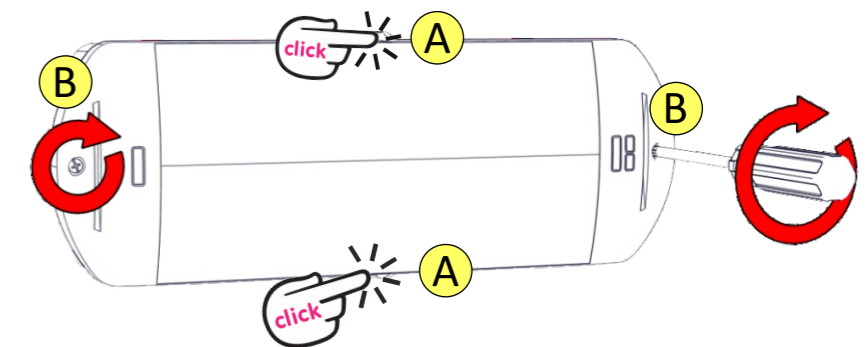
Refit the reflector (Mind the holes of the indications).

7



Refit the diffusor (Mind the holes of the indications).

8



The plastic latches (A) must be secured (click sound). Fasten the 2 screws (B). (Tightening torque 1.2N*m)

9

NOTE: LED= Light Emitting Diode

LABELING EXPLANATION:

Z: Central Supply

1: Maintained/non-maintained operation (*)

G: Internally illuminated safety sign

(*) Maintained operation: The luminaire lights its illumination source, when it is powered by the mains power supply or not.

Non Maintained operation: The luminaire lights its illumination source, only in power supply's failure.

Note!! The installer should fill in, on the specification label, the letter **G** if the luminaire is used as a safety sign.



ATTENTION

The light source contained in this luminaire shall only be replaced by the manufacturer, or his agent, or a similar qualified person.

NOTE! The light source is non-user replaceable.

Technical Characteristics

	GR-1926/4P	GR-1926/6P	GR-1926/15L	GR-1926/30L
OPERATION VOLTAGE	85-250V DC, 100-250V AC/50-60Hz			
MAXIMUM POWER CONSUMPTION	5.3W / 5.4VA	6.3W / 7VA	1.5W / 1.9VA	2.8W / 3.1VA
WIRE CROSS SECTION	0.8 - 1.5 mm ²			
LIGHT SOURCE	4 white LEDs	6 white LEDs	15 white LEDs	30 white LEDs
LIGHT SOURCE LUMINOUS FLUX	460 lm	580 lm	125 lm	250 lm
DEGREES OF COVER PROTECTION	IP65			
PRODUCED IN ACCORDANCE WITH	EN 60598-1, EN 60598-2-22, EN 55015, EN 61547, EN 61000-3-2, EN 61000-3-3			
VIEWING DISTANCE (as safety sign)	22m			
OPERATION TEMPERATURE RANGE	-30 to 50 °C			
RELATIVE HUMIDITY	Up to 95%			
CONSTRUCTION MATERIAL	ABS/PC, PC			
EXTERNAL DIMENSIONS (L x W x H)	315 x 120x 65 mm			
WEIGHT	550gr.			
GUARANTEE	3 years			

LED Characteristics

	Olympia Electronics S.A.			
MANUFACTURER	Olympia Electronics S.A.			
MODEL NUMBER	1509153/4P	1509153/6P	2402159/15L	2402159/30L
VOLTAGE RANGE	11.6-13.6V DC		8.5-10.5V DC	
NOMINAL POWER	4W	6W	1W	2W
CONNECTIONS	Non reversible connection between main pcb and led module			
TEMPERATURE (tc)	55°C max. across the board		47°C max. across the board	

Warranty

Olympia Electronics guarantees the quality, condition and operation of the goods. The period of warranty is specified in the official catalogue of Olympia Electronics and also in the technical leaflet, which accompanies each product. This warranty ceases to exist if the buyer does not follow the technical instructions included in official documents given by Olympia Electronics or if the buyer modifies the goods provided or has any repairs or re-setting done by a third party, unless Olympia Electronics has fully agreed to them in writing. Products that have been damaged can be returned to the premises of our company for repair or replacement, as long as the warranty period is valid.

Olympia Electronics reserves the right to repair or to replace the returned goods and to or not charge the buyer depending on the reason of deflection. Olympia Electronics reserves the right to charge or not the buyer the transportation cost.



72nd km. O.N.R. Thessaloniki-Katerini
P.C. 60300 P.O. Box 06 Eginio Pierias Greece

www.olympia-electronics.com

info@olympia-electronics.gr



GR-1926/4P **GR-1926/15L**
GR-1926/6P **GR-1926/30L**
WATERPROOF EMERGENCY LUMINAIRE FOR CBS



**Thank you for your trust in our products
Olympia Electronics - European manufacturer**