

## Package Contents

- 1 Luminaire
- 3 Pictograms (R/L/D)
- 1 Mounting accessories
- 1 Manual

## General

These devices are used in places where emergency light is needed. Each device must be permanently connected to mains power supply. In normal operation the battery is charging. In case of a mains power supply failure, the luminaire enters emergency mode and the illumination LED turns on. When the mains power supply is restored the device turns to normal operation.

## Maintained / non maintained operation

There is an option to select the non-maintained or maintained operation by placing the jumper to the appropriate position (page 3).

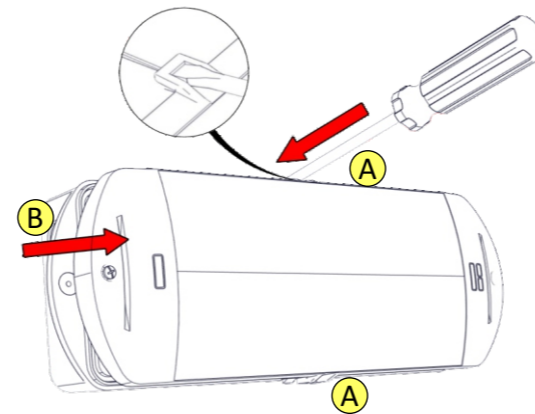
## Manual Operational Test

An operational test is initiated by placing the test card A-1900 beside the indicators LED. The light source and the emergency circuit of the device are tested. The manual test can be conducted only if the mains power supply and the battery are connected. During this test period, the light source and the two yellow indicators turns on. The battery must have adequate charge. This test continues as long as the card remains in place.

## ATTENTION!!!

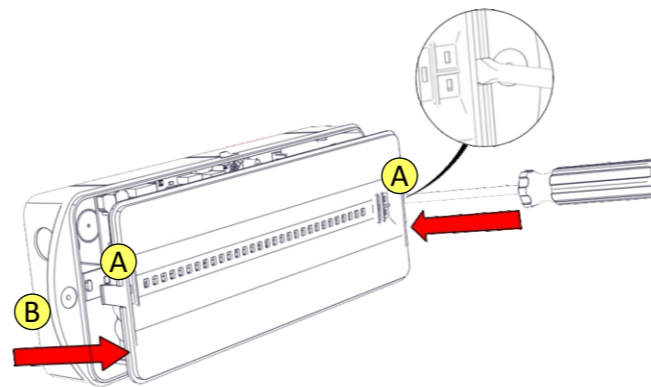
1. Operations for installation, maintenance or testing must be done by authorized personnel only.
2. Always use in any case round mains cable, with a diameter of 5-10mm (H05RN-F type 2x1mm<sup>2</sup> or any other type, at least equal to its mechanical and electrical properties). ATTENTION!! The cable must not be deformed in any way (This requirement is important to ensure the IP rating).
3. The device must be connected to the mains power supply through a circuit breaker that depends on the total line's power load.
4. In case of battery replacement, it must be replaced by the same type, by the manufacturer or a competent person.
5. In case of inactive use for a period greater than 2 months, disconnect the battery by pulling out the battery's connector.
6. It is not allowed to discard batteries into common trash bins, they must be discarded only in battery recycling points. Do not incinerate.

## Installation



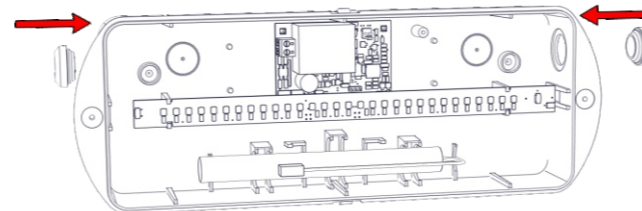
To dismantle the luminaire, simply remove the diffuser.  
**ATTENTION!** If the 2 plastic latches (A) are clipped, carefully insert a flat-blade screwdriver to unclip them. Then, gently lift the diffuser (B) upwards to detach it.

1



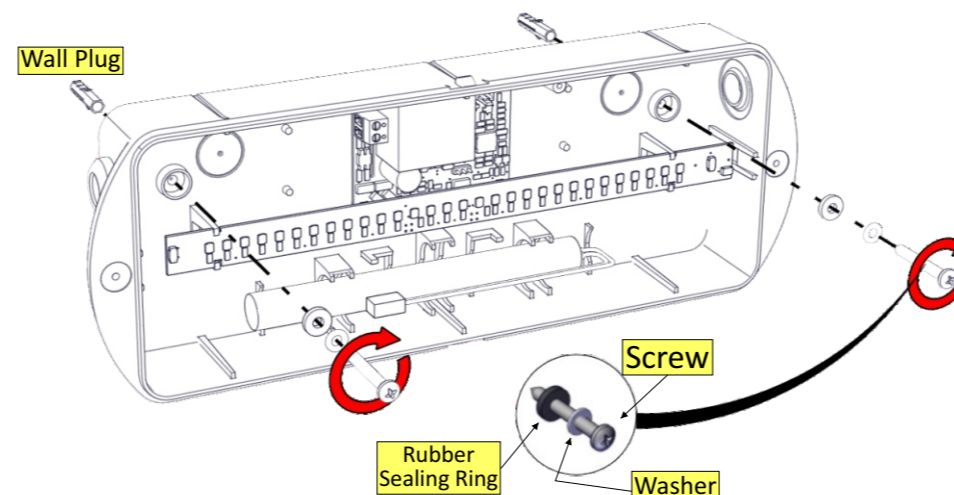
Place a flat blade screwdriver to the recesses (A) and pull up gently the reflector (B) to remove it.

2



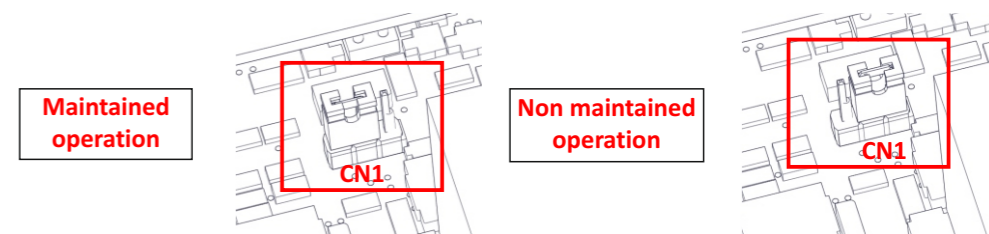
Install the two rubber gaskets to the holes of the base. Make sure that they are not deformed.

3



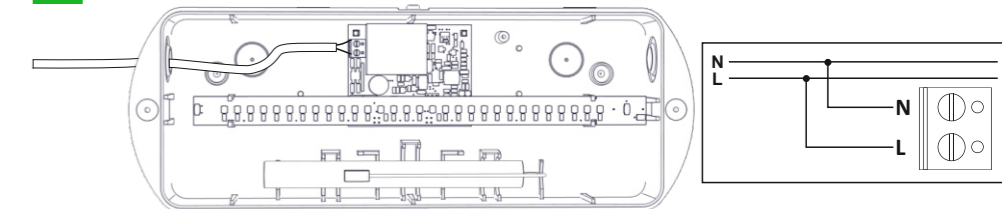
Install the plastic base (with the included mounting accessories).  
**WARNING!!** To preserve the IP65 rating, fit the screws with the metallic washers and rubber sealing rings.

4



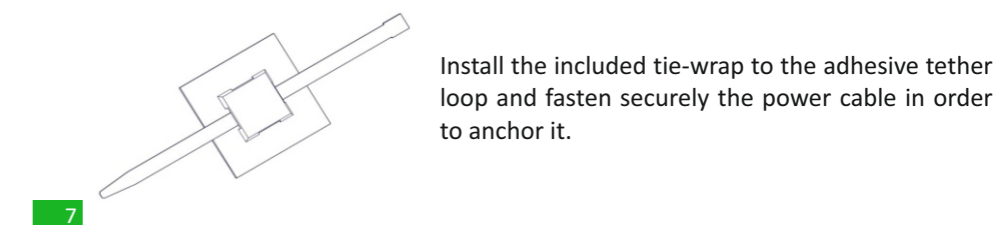
You can control the luminaire's operation by adjusting the jumper. By default, when the jumper is installed in the middle and the left pins, maintained operation is selected. Alternatively, when the jumper is installed in the middle and the right pins, non-maintained operation is chosen.

5

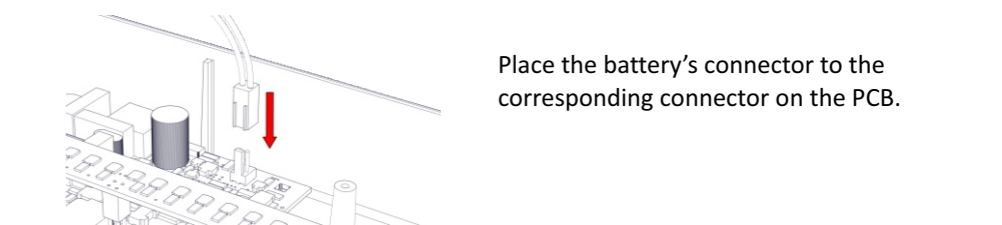


Make a hole in the center of the rubber gasket by using a small screwdriver. Pass the round cable through the rubber gasket. Connect the mains cable according to the connections diagrams above. N for neutral, L for live wire **WARNING!!** Isolate the mains power supply before making the connections.

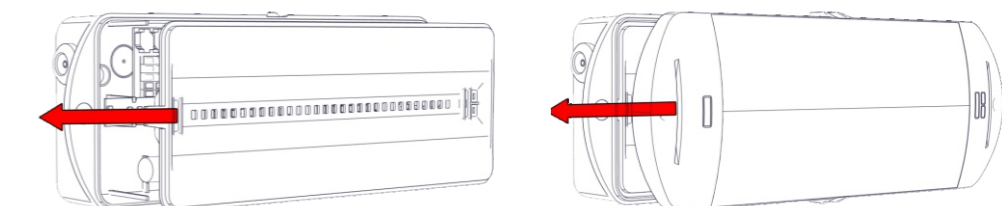
6



7

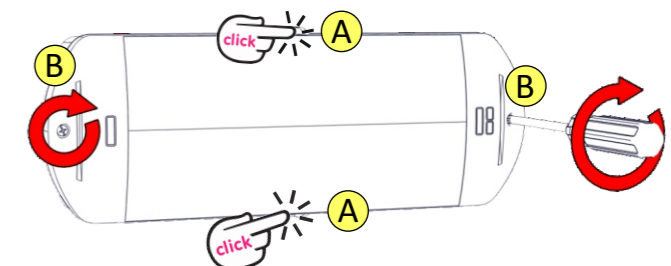


8



Refit the reflector and then the diffuser, which were removed in steps 1 & 2. Mind the holes of the indications.

9



The plastic latches (A) must be secured (click sound).  
Fasten the 2 screws (B). (Tightening torque 1.2N\*m)

10

**NOTE!!** After finishing the installation you must power the luminaire for at least 24 hours in order to completely charge the battery. The rated autonomy duration can be achieved after that time.

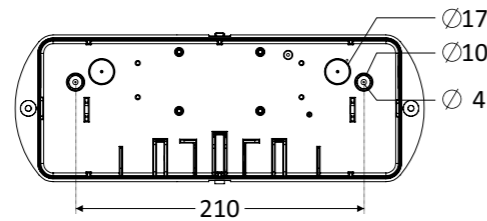
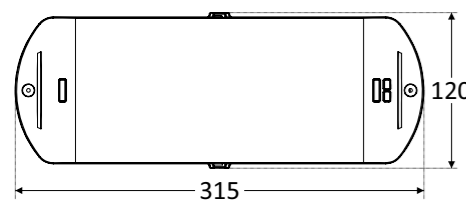
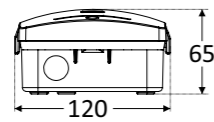
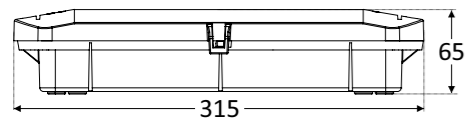
## Battery Replacement

It can be done only by a competent person and after the mains interruption.

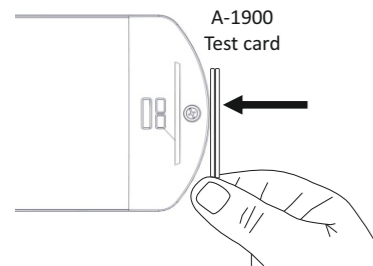
1. Follow step 1 of the installation instructions and remove the diffuser.
2. Follow step 2 of the installation instructions and remove the reflector.
3. Remove the old battery and place a new one of the same type and characteristics.
4. Replace the removed parts (previous steps 1 and 2).

## Dimensional drawing:

315 x 120 x 65 mm



## A-1900 Magnetic Test Card



**A-1900 Test card (not included).**

*This card is available only upon request.*

To use it, place the card beside the indicators. This test continues as long as the card remains in place.

**NOTE: LED= Light Emitting Diode**

**LABELING EXPLANATION:**

X: Self contained

1: Maintained/Non maintained operation (\*)

A: Including test device

G: Internally illuminated safety sign

90: 1.5 hour duration

180: 3 hours duration

(\*) **Maintained operation:** The luminaire lights its illumination source, when it is powered by the mains power supply or not.

**Non Maintained operation:** The luminaire lights its illumination source, only in power supply's failure.

Note!! The installer should fill in, on the specification label, the letter **G** if the luminaire is used as a safety sign.

X 1 A 90

## ATTENTION

The light source contained in this luminaire shall only be replaced by the manufacturer, or his agent, or a similar qualified person.

NOTE! The light source is non-user replaceable.

## Technical Characteristics

	GR-1935/15L	GR-1936/15L	GR-1935/30L	GR-1936/30L
OPERATION VOLTAGE	220-240V AC/50-60Hz			
MAXIMUM POWER CONSUMPTION	3.1W / 3.3VA	3.4W / 3.6VA	3.3W / 3.5VA	4.5W / 4.8VA
WIRE CROSS SECTION	0.8 - 1.5 mm <sup>2</sup>			
BATTERY (Ni-Cd)	3.6V/0.6Ah	3.6V/1.5Ah		3.6V/3Ah
BATTERY PROTECTION	Deep discharge and overcharge protection			
INDICATIONS/CONTROLS	Charge LED / Magnetic switch			
CHARGE TIME	24h			
MINIMUM DURATION	90min	180min	90min	180min
LIGHT SOURCE	15 white LEDs		30 white LEDs	
LIGHT SOURCE LUMINOUS FLUX (MAINS)	40lm		40lm	
LIGHT SOURCE LUMINOUS FLUX (EMERGENCY)	105lm		210lm	
DEGREES OF COVER PROTECTION	IP65			
PRODUCED IN ACCORDANCE WITH	EN 60598-1, EN 60598-2-22, EN 55015, EN 61547, EN 61000-3-2, EN 61000-3-3			
VIEWING DISTANCE (as safety sign)	22m			
OPERATION TEMPERATURE RANGE	5 to 40 °C			
RELATIVE HUMIDITY	Up to 95%			
CONSTRUCTION MATERIAL	ABS/PC, PC			
EXTERNAL DIMENSIONS (L x W x H)	315 x 120 x 65 mm			
WEIGHT	650gr.	700gr.	800gr.	
GUARANTEE	3 years (1 year for the battery)			

## LED Characteristics

MANUFACTURER	Olympia Electronics S.A.		
MODEL NUMBER	2502159/15L	2502159/30L	
VOLTAGE RANGE	8.5-10.5 V DC		
NOMINAL POWER	1 W	2 W	
CONNECTIONS	Non reversible connection between main pcb and led module		
TEMPERATURE (tc)	47 °C max. across the board		

## Warranty

Olympia Electronics guarantees the quality, condition and operation of the goods. The period of warranty is specified in the official catalogue of Olympia Electronics and also in the technical leaflet, which accompanies each product. This warranty ceases to exist if the buyer does not follow the technical instructions included in official documents given by Olympia Electronics or if the buyer modifies the goods provided or has any repairs or re-setting done by a third party, unless Olympia Electronics has fully agreed to them in writing. Products that have been damaged can be returned to the premises of our company for repair or replacement, as long as the warranty period is valid.

Olympia Electronics reserves the right to repair or to replace the returned goods and to or not charge the buyer depending on the reason of deflection. Olympia Electronics reserves the right to charge or not the buyer the transportation cost.



72nd km. O.N.R. Thessaloniki-Katerini  
P.C. 60300 P.O. Box 06 Eginio Pierias Greece

[www.olympia-electronics.com](http://www.olympia-electronics.com)  
[info@olympia-electronics.gr](mailto:info@olympia-electronics.gr)



GR-1935/15L  
GR-1936/15L

GR-1935/30L  
GR-1936/30L

**WATERPROOF  
MAINTAINED/NON MAINTAINED  
EMERGENCY LUMINAIRES**



**Thank you for your trust in our products  
Olympia Electronics - European manufacturer**