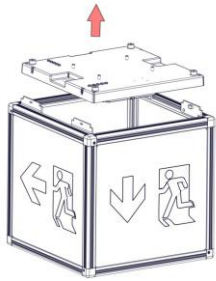
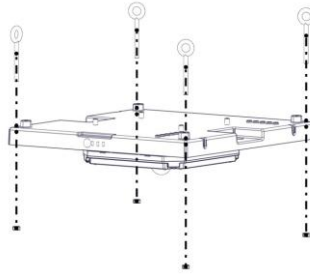


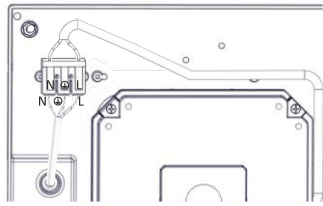
Hanging Installation



1

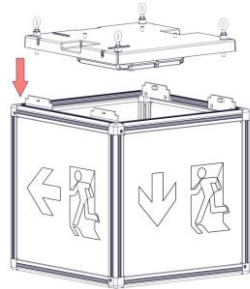


2

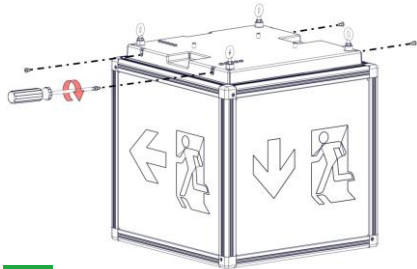


N for neutral, L for live and ⊕ for ground.

3



4



5

NOTE: LED= Light Emitting Diode

LABELING EXPLANATION:

Z: Central supply

1: Maintained operation (*)

G: Internally illuminated safety sign

Z 1 G

(*) **Maintained operation:** The luminaire lights its illumination source, when it is powered by the mains power supply or not.

Non Maintained operation: The luminaire lights its illumination source, only in power supply's failure.

ATTENTION!!!



The light source of this luminaire is not user replaceable. When the light source reaches its end of life the whole luminaire shall be replaced.

4

923424003_09_004

Technical Characteristics

GR-424/1PL

OPERATION VOLTAGE	150-250V DC, 140-250V AC / 50-60Hz
MAXIMUM POWER CONSUMPTION	4.4 W / 4.6 VA
LIGHT SOURCE	16 white LEDs
ILLUMINATION	500lm
DEGREES OF COVER PROTECTION	IP40
PRODUCED IN ACCORDANCE WITH	EN 60598-1, EN 60598-2-22, EN 55015, EN 61547, EN 61000-3-2, EN 61000-3-3
VIEWING DISTANCE	50 m
OPERATION TEMPERATURE RANGE	-30 to 50 °C
RELATIVE HUMIDITY	Up to 95%
CONSTRUCTION MATERIAL	Aluminum, ABS/PC, PC, Acrylic plate
EXTERNAL DIMENSION (L x W x H)	310 x 310 x 330 mm
WEIGHT	2520gr.
GUARANTEE	3 years

LED Characteristics

GR-424/1PL

MANUFACTURER	Olympia Electronics S.A.
MODEL NUMBER	1006195
VOLTAGE RANGE	11.05 - 11.15V DC
NOMINAL POWER	2.8W
CONNECTIONS	Fixed connection between main pcb and led module
TEMPERATURE (tc)	70 °C max. across the board

Warranty

Olympia Electronics guarantees the quality, condition and operation of the goods. The period of warranty is specified in the official catalogue of Olympia Electronics and also in the technical leaflet, which accompanies each product. This warranty ceases to exist if the buyer does not follow the technical instructions included in official documents given by Olympia Electronics or if the buyer modifies the goods provided or has any repairs or re-setting done by a third party, unless Olympia Electronics has fully agreed to them in writing. Products that have been damaged can be returned to the premises of our company for repair or replacement, as long as the warranty period is valid.

Olympia Electronics reserves the right to repair or to replace the returned goods and to or not charge the buyer depending on the reason of deflection. Olympia Electronics reserves the right to charge or not the buyer the transportation cost.



72nd km. O.N.R. Thessaloniki-Katerini
P.C. 60300 P.O. Box 06 Eginio Pierias Greece

www.olympia-electronics.com

info@olympia-electronics.gr

5

923424003_09_004



European
manufacturers



GR-424/1PL

MAINS EMERGENCY LUMINAIRE SIGN



Thank you for your trust in our products
Olympia Electronics - European manufacturer

Package Contents

- 1 Luminaire (Housing)
- 1 Mounting accessories
- 1 Set of 5 pictograms (U, D, R, L, B)
- 4 Acrylic Plates
- 1 Manual

General

These luminaires are used in places where emergency luminaires (CBS) are needed.

Each luminaire must be permanently connected to mains power supply.

INSTALLATION

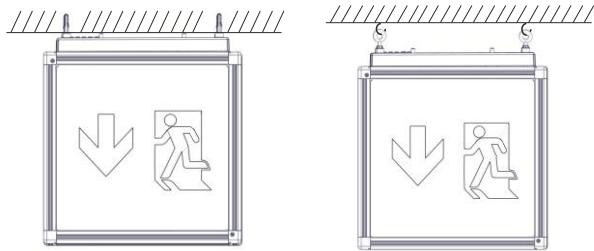
To install the luminaire follow the installation procedure as described below.

ATTENTION!!!

1. Operations for installation, maintenance or testing must be done by authorized personnel, only when the device is disconnected from the mains power supply.
2. The device must be connected to the mains power supply through a fuse dependent by the total amount of the line's power load.

Installation Methods

The luminaire can be installed in 2 different ways. It can be installed either at the ceiling or hanging with eye bolts. All mounting accessories are including in the package.

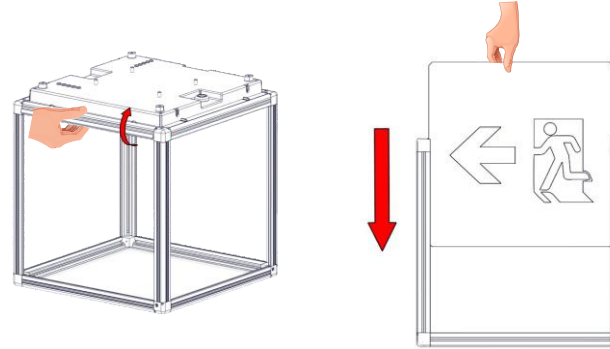


A Ceiling mounting

B Hanging installation with hooks

Installation Instructions

Changing Pictograms

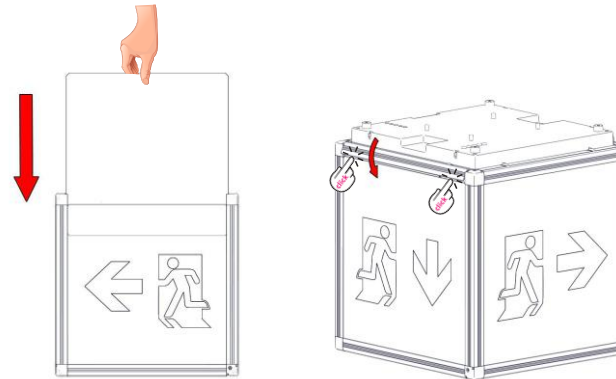


Place the appropriate pictograms according to the position of the luminaire. Firstly, remove the retaining plastic clip.

1

Install the pictogram and make sure it goes all the way down.

2



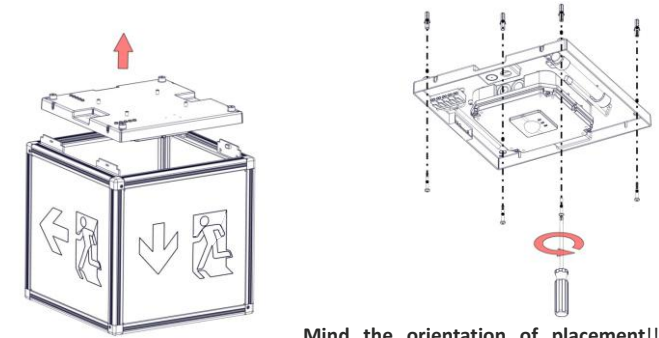
Remove the protective films from both sides of the acrylic plate and install it in front of the pictogram. Mind the orientation of the acrylic plate.

3

Place the plastic retaining clip, press until you hear click sound. Follow the same steps for the remaining sides of the pictogram.

4

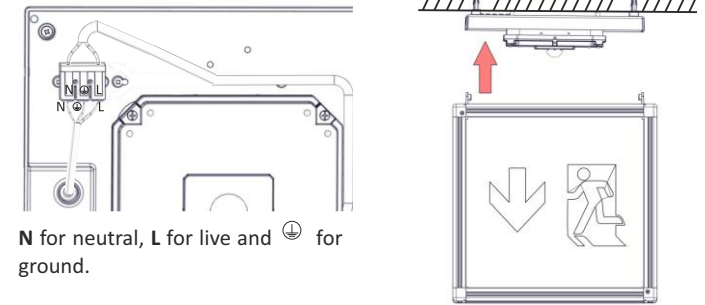
Ceiling Mounting



Mind the orientation of placement!!
The top cover placement is achieved according to the bottom part of the luminaire and the already installed pictograms.

1

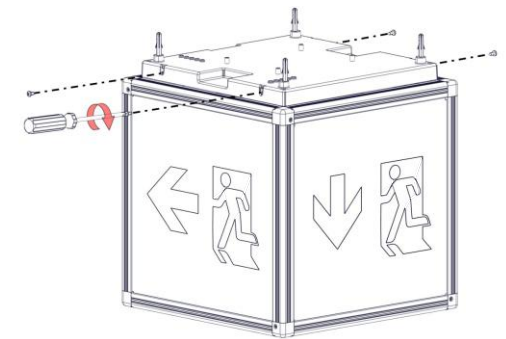
2



N for neutral, **L** for live and **⊕** for ground.

3

4



5