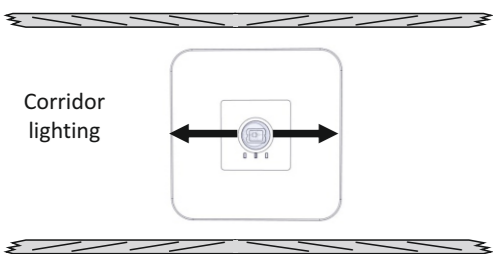


**GR-460/WP
(Escape Route)**



Corridor lighting

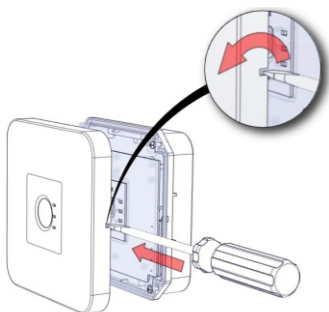
**GR-461/WP
(Anti-Panic Area)**



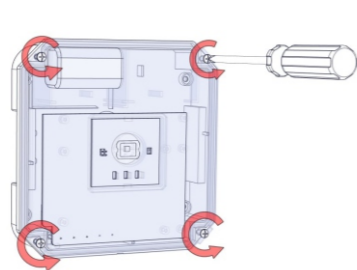
Open area lighting

ATTENTION!!!
During installation follow this light direction.

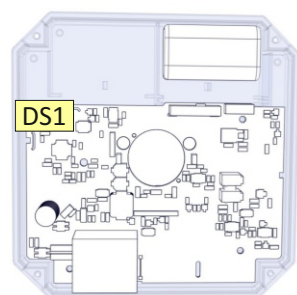
Operation Mode & Autonomy Duration



1

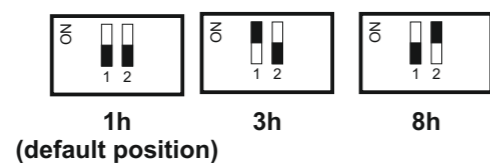


2



3

Dip Switch Positions



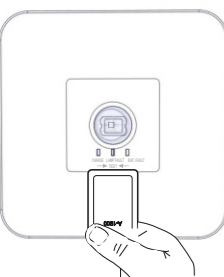
Autonomy duration selection

The user can select one of the 3 available minimum autonomy duration 1hour, 3hours and 8hours. The selection must be done while the luminaire is disconnected from AC and battery supplies. The selection is achieved through Switches 1 & 2 of DS1.

Technical label installation

Two additional labels are included in the package, one for 3 hours duration (180) and one for 8 hours duration (480). Depending on the selected duration, the installer must cover the default 1 hour (60) printing with one that has the required duration. Please take notice of the orientation of the label.

Magnetic Switch Usage



Test operations with the A-1900 card (not included and available after request).

For Manual Operational Test, you must place the card in front of the TEST indicator and remove it immediately.

For Manual Capacity Test, you must place the card in front of TEST and hold it for 5 to 10 seconds.

ATTENTION!!!

The light source of this luminaire is not replaceable when the light source reaches its end of life the whole luminaire shall be replaced.

CAUTION : Do not view directly with bare eyes.

Battery Replacement

It can be done only by a competent person and after the mains interruption.

1. Detach the front cover by applying pressure using a flat blade screw driver. Next, unfasten the four retaining screws without removing them and remove the diffuser.
3. Disconnect the connector and remove the old battery.
4. Connect the new battery with the same type and place it in the position of the old one.
5. Replace the removed parts and power the device.

Technical Characteristics

GR-460/WP & GR-461/WP	
OPERATION VOLTAGE	220V-240V AC / 50-60Hz
MAXIMUM SUPPLY CURRENT	25mA
MAXIMUM POWER CONSUMPTION	5.5W / 5.6VA
MINIMUM POWER FACTOR (λ)	0.9
U-OUT	10V
Prated	1h: 2.1W 3h: 0.9W 8h: 0.25W
Irated	1h: 695mA 3h: 295mA 8h: 95mA
INSULATION BETWEEN SUPPLY & CONTROL TERMINALS	Basic Insulation
INSULATION BETWEEN SUPPLY & BATTERY CIRCUIT	Basic Insulation
WORKING VOLTAGE AT WHICH THE INSULATION IS DESIGNED	500V
BATTERY (Ni-MH)	4.8V / 1.2Ah (4KRMT 15/51)
BATTERY PROTECTION	Deep discharge and overcharge protection
BATTERY VOLTAGE RANGE	4-6V
BATTERY CHARGE CURRENT RANGE	100 - 130mA
BATTERY DISCHARGE CURRENT RANGE	1h: 460 - 645mA 3h: 190 - 280mA 8h: 70 - 115mA
CHARGE TIME	23hours
MINIMUM DURATION	1hour / 3 hours / 8 hours
LIGHT SOURCE	1 white power LED
LIGHT SOURCE LUMINOUS FLUX (MAINS / EMERGENCY)	300lm / 1h: 320lm, 3h: 150lm, 8h: 50lm
INDICATIONS	Charge, Lamp Fault, Battery Fault, Test Magnetic Switch
PRODUCED IN ACCORDANCE WITH	EN 60598-1, EN 60598-2-22, EN 55015, EN 61547 EN 61000-3-2, EN 61000-3-3, EN62311
DEGREES OF COVER PROTECTION	IP65
OPERATION TEMPERATURE RANGE	5 to 40°C
RELATIVE HUMIDITY	Up to 95%
CONSTRUCTION MATERIAL	ABS/PC, PC
EXTERNAL DIMENSION (L x W x H)	158 x 158 x 60.4mm (without decorative bezel) - 195 x 195 x 60.4 (with decorative bezel)
WEIGHT	500gr
GUARANTEE	3 years (1 year for the battery)
CONTROL GEAR WITH AUTOMATIC TEST FUNCTION	EL-T
Controlgear is suitable for LED module only The controlgear has mains-connected windings of transformer	

LED Characteristics

GR-460/WP & GR-461/WP	
MANUFACTURER	Olympia Electronics S.A.
MODEL NUMBER	2806183
VOLTAGE RANGE	2.7-3.3V DC
NOMINAL POWER	1h: 2.1W 3h: 0.9W 8h: 0.25W
CONNECTIONS	Fixed connection between main pcb and led module
TEMPERATURE (tc)	65 °C max. across the board

Warranty

Olympia Electronics guarantees the quality, condition and operation of the goods. The period of warranty is specified in the official catalogue of Olympia Electronics and also in the technical leaflet, which accompanies each product. This warranty ceases to exist if the buyer does not follow the technical instructions included in official documents given by Olympia Electronics or if the buyer modifies the goods provided or has any repairs or re-setting done by a third party, unless Olympia Electronics has fully agreed to them in writing. Products that have been damaged can be returned to the premises of our company for repair or replacement, as long as the warranty period is valid.

Olympia Electronics reserves the right to repair or to replace the returned goods and to or not charge the buyer depending on the reason of deflection. Olympia Electronics reserves the right to charge or not the buyer the transportation cost.



72nd km. O.N.R. Thessaloniki-Katerini
P.C. 60300 P.O. Box 06 Eginio Pierias Greece
www.olympia-electronics.gr
info@olympia-electronics.gr



GR-460/WP & GR-461/WP
SELF TESTING MAINTAINED/NON MAINTAINED
EMERGENCY CEILING MOUNTED LUMINAIRE WITH LENS
FOR ESCAPE ROUTE OR ANTIPANIC AREA



Thank you for your trust in our products
Olympia Electronics - European manufacturer

Package Contents

- 1 Luminaire
- 1 Decorative Bezel
- 1 Mounting accessories
- 1 Manual

General

GENERAL

These devices are used indoors (ta 40°C) in places where emergency luminaires are needed. Each device must be permanently connected to mains power supply. In normal operation the battery is charging. In case of a mains power supply failure, the device enters emergency mode and the illumination LED turns on. When the mains power supply is restored the device turns to normal operation.

Manual Operational Test

This test can be done by using the A-1900 card and lasts for 3 seconds. The light source and the emergency circuit of the device are tested. The manual test can be conducted only if the mains power supply and the battery are connected. During this test period the LAMP TEST LED will blink. The battery must have adequate charge.

Manual Autonomy Test

A duration test can be conducted by holding the A-1900 card steadily for 5 to 10 seconds. In order to be performed, the mains power supply and the battery must be fully charged (green LED steady ON). The luminaire enters emergency mode, the charge LED is turned OFF and the Battery Fault led starts to blink. Its duration is the stated autonomy duration of the luminaire. If at the end of the test, the autonomy is low then the Battery Fault LED will be ON. If the result of the test is good then the luminaire enters normal mode and the Charge led starts blinking until the batteries are fully charged.

Automatic Operational Test

This test includes all the operations that are provided in Manual Operational Test and is conducted automatically every 15 days and lasts 3 seconds.

Automatic Autonomy Test

The Automatic Autonomy Test is conducted every 6 months and measures the device's back up operation and emergency duration. This test includes all functions of the Manual Autonomy Test.

ATTENTION!!!

- Operations for installation, maintenance or testing must be done by authorized personnel only.

- Always use in any case round mains cable, with a diameter of 5-10mm (H05RN-F type 2x1mm² or any other type, at least equal to its mechanical and electrical properties). ATTENTION!! The cable must not be deformed in any way (This requirement is important to ensure the IP rating).
- The device must be connected to the mains power supply through a fuse that is dependent on the total line's power load.

- In case of battery or lamp replacement, these must be replaced by parts with same type, by the manufacturer or by a competent person.

- In case of inactive use for a period greater than 2 months, disconnect the battery by pulling out the battery's connector.

- It is not allowed to discard batteries into common trash bins, they must be discarded only in battery recycling points. Do not incinerate.

Connectors:

CN1: Power Supply

CN2: Non User Connector

CN5: Non User Connector

CN9: Battery Connector

CN11: Non User Connector

NOTE: LED= Light Emitting Diode

LABELING EXPLANATION:

X: Self contained

1: Maintained (*)

A: Including test device

E: With non-replaceable lamp(s)

F: Automatic test gear complying with IEC 61347-2-7 denoted EL-T

60: 1hour duration

180: 3hours duration

480: 8hour

X 1 A E F 6 0

(*)Maintained operation: The luminaire lights its illumination source, when it is powered by the mains power supply or not.

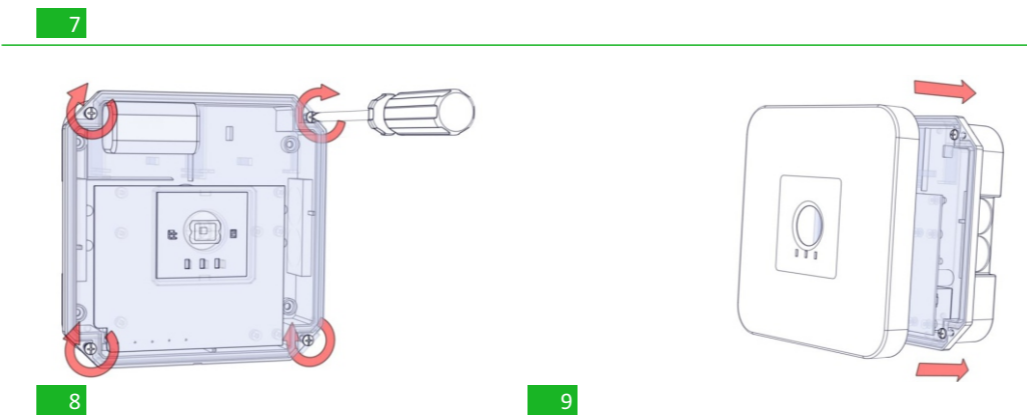
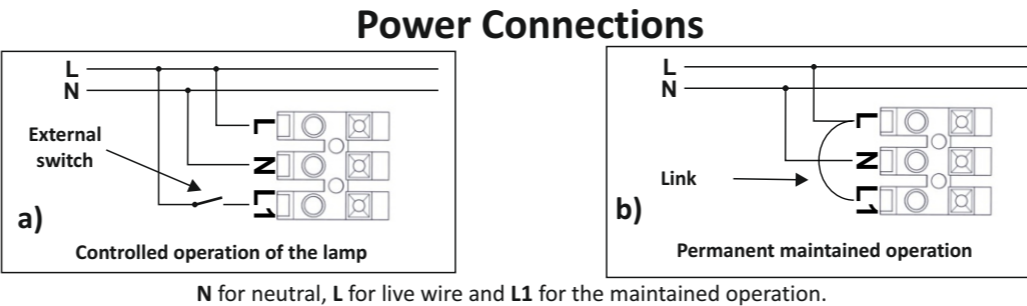
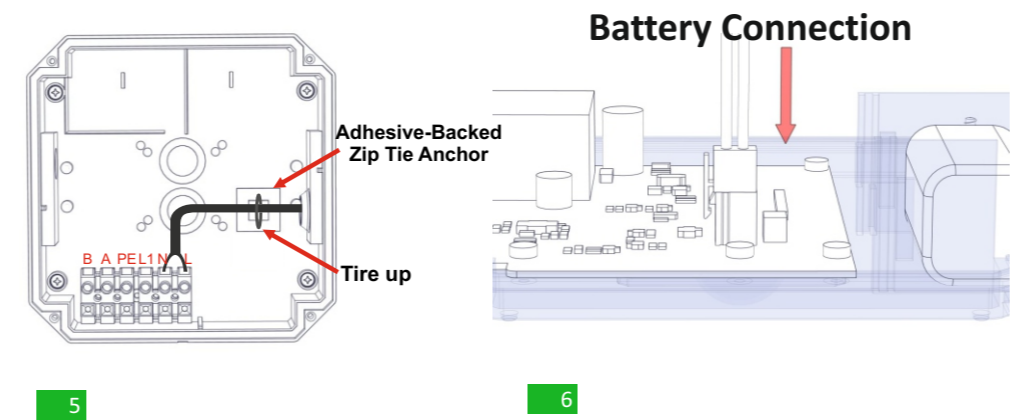
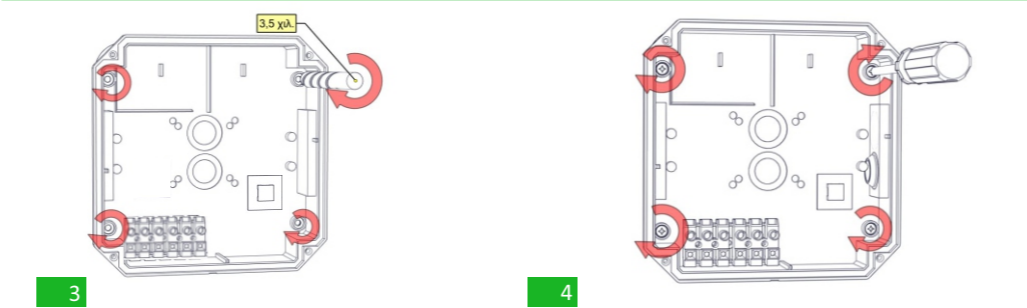
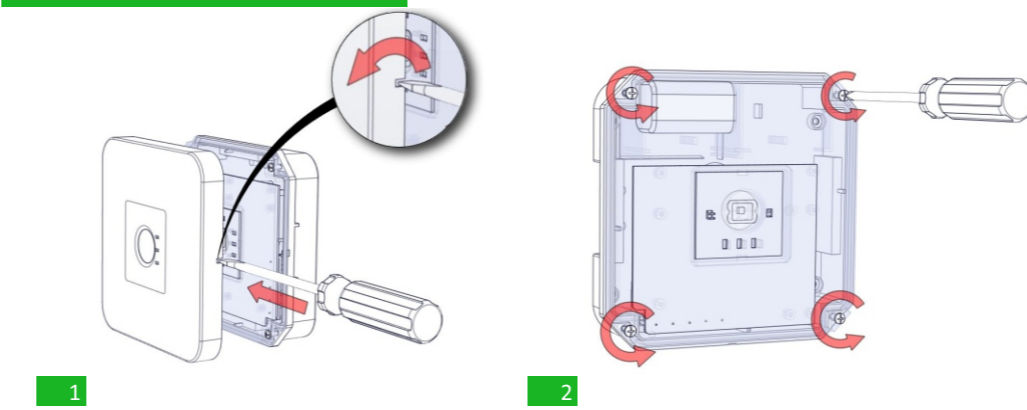
Non Maintained operation: The luminaire lights its illumination source, only in power supply's failure.s duration

Note:

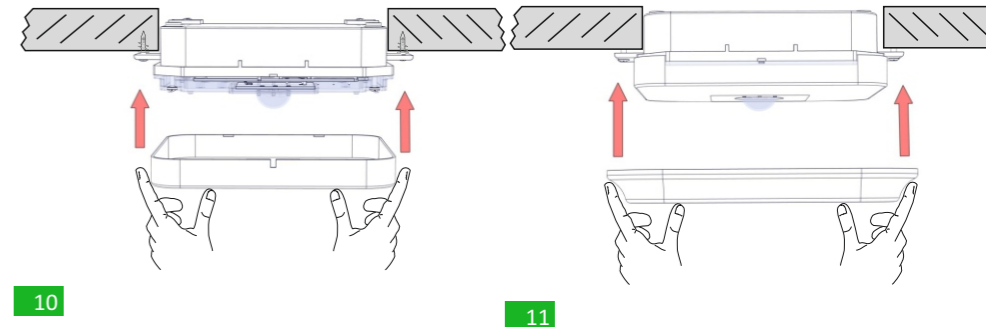
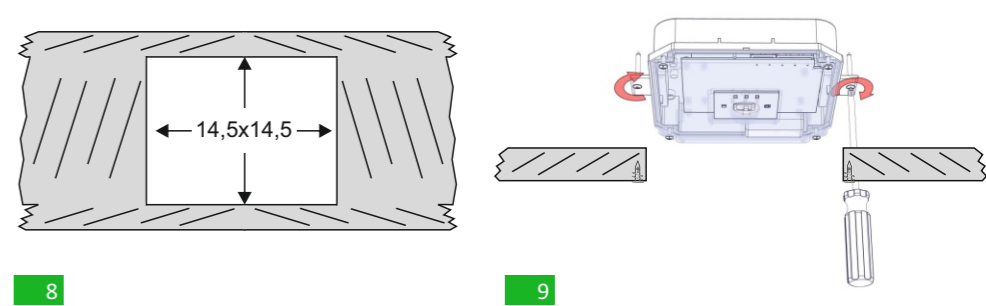
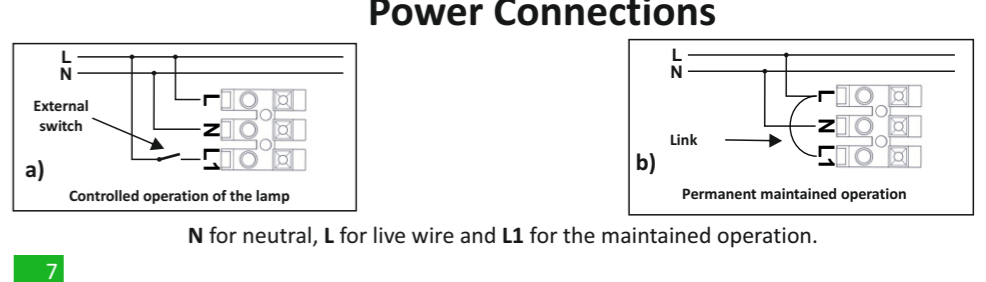
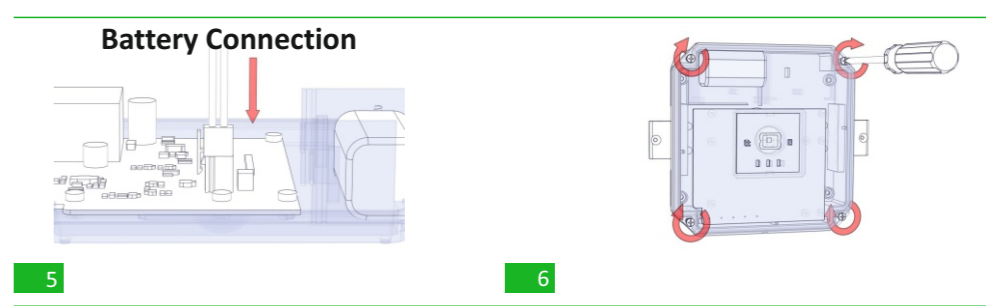
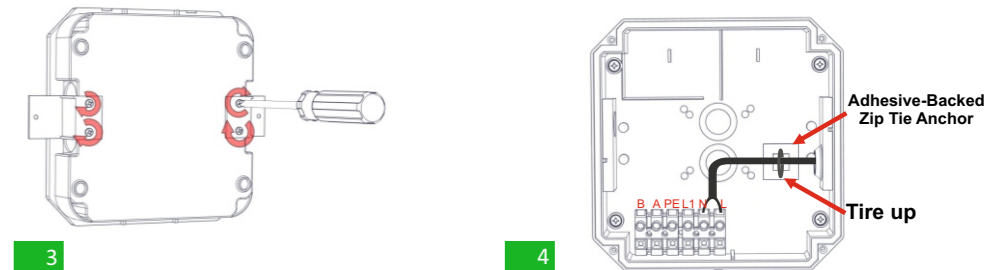
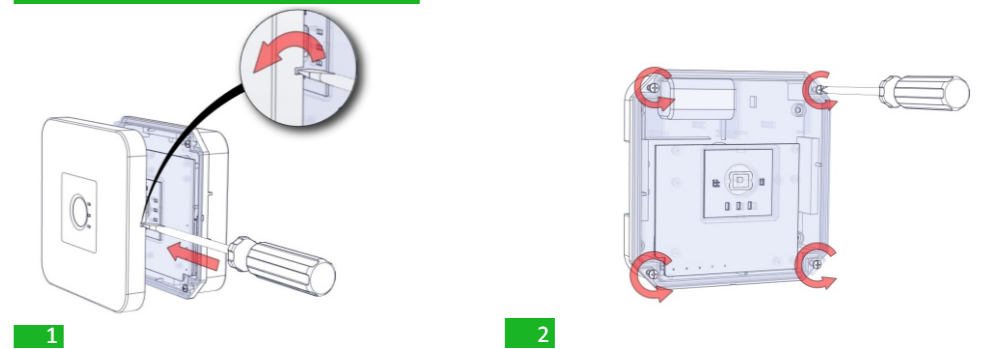
●	Permanently ON
●	Blink
○	Off
∅	Indifferent

Installation Instructions

Surface Mounting



Suspended Ceiling



NOTE!! After finishing the installation you must power the luminaire for at least 24 hours in order to completely charge the battery. The rated autonomy duration can be achieved after that time.

Indications LED Status

CHARGE (green)	LAMP FAULT (red)	BATT. FAULT (yellow)	Description
●	●	●	Charging
●	∅	∅	Fully charged
○	∅	∅	Battery fault or emergency mode
∅	●	∅	Operational test
∅	●	∅	Operational failed
∅	∅	●	Autonomy test
∅	∅	●	Duration fault