

# GR-6600/WL

# Wireless module for emergency lighting



## TECHNICAL CHARACTERISTICS

Operation voltage	2.6 - 3.3 VDC
Consumption (from luminary)	0.1W / 30mA
Tx/Rx frequency range	868 - 870MHz
Tx power	11dBm
Housing	PC
Ambient temperature range	5 to 40 °C
Storage temperature range	-40 to 70 °C
Maximum relative humidity	Up to 95%
Weight	13 gr.
Dimensions (L x W x H)	28 x 51 x 14 mm
Warranty	2 years
Approvals	EN 62311:2008, EN 62386-1:2014+AC:2015, ETSI EN 301 489-1 V1.9.2, ETSI EN 301 489-3 V1.6.1, ETSI EN 300 220-2 V3.1.1

## Thank you for your trust in our products Olympia Electronics - European manufacturer

The GR-6600/WL wireless module for emergency lighting is a device that is connected to any self-contained emergency luminary by Olympia Electronics, in order to be connected to a Wireless Emergency Lighting network. The wireless luminary is stated as a “router” device and is connected to a Gateway, the “master” device of the wireless network.

### Features:

- Powered by the luminary
- Status and signal indication LEDs
- On-board antenna
- On-board push button



### LED Indications:

This device has three indication LEDs (*see position on next page*).

The **top LED** (LD3-green) indicates the network connection status.

This LED may blink according to the following patterns:

1. Steady ON: The device has established direct connection to a Gateway device, and at least one more Gateway device is available for alternate routing (false condition).
2. Rapid flash [5 times/s]: The device has established direct connection to a single Gateway device.
3. Fast flash [2 times/s]: The device has established connection to a Router device and at least one more Router device is available on the same hop level, as an alternate route (redundant connection).
4. Moderate flash [1 second ON / 1 second OFF]: The device has established connection to a single Router device, and no alternatives exist on the same hop level.
5. No light: The device is disconnected.

The **middle LED** (LD2-green) indicates the received signal strength (RSSI) of the router module.

This LED may blink according to the following patterns:

1. Very fast flash [5 times/s]: received signal strength is excellent.
2. Fast flash [2 times/s]: received signal strength is good.
3. Moderate flash [1 second ON / 1 second OFF]: received signal strength is acceptable for reliable communication.
4. Very slow [2 seconds ON / 2 seconds OFF]: received signal strength is not acceptable for reliable communication, or no signal.

The **bottom LED** (LD1-red) indicates operation status.

This LED may blink according to the following patterns:

1. Very fast blink [5 times/s]: the module is not initialized correctly. In this case you have to press for more than 2 seconds the push button, in order to reset the module (loads default settings).
  2. Moderate flash [2 times/s]: The module is properly operating.
- 

### **Button functionality:**

The on-board button has the two following functions:

1. Short press (<2"): a status message will be sent to the Gateway device of the wireless network.
2. Long press (>2"): Loads factory default settings to the module.

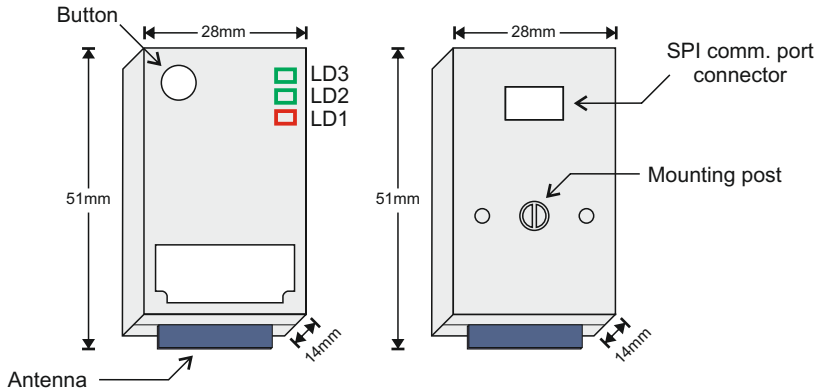
#### **Default settings:**

- SID: 00000001
- RF Channel: 13 ( 869.525MHz )

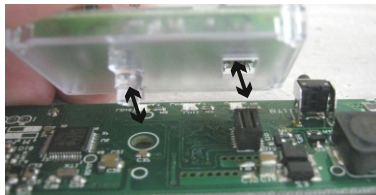
### **Installation:**

In order to install the module into a luminary, you must first disconnect the luminary from the mains and also from its battery. After that, simply plug the module in the corresponding connector that is fitted on the luminary's pcb. When done, reconnect the battery and mains power to the luminary.

## Dimensions



## Installation example



## WARRANTY

Olympia Electronics guarantees the quality, condition and operation of the goods. The period of warranty is specified in the official catalogue of Olympia Electronics and also in the technical leaflet, which accompanies each product. This warranty ceases to exist if the buyer does not follow the technical instructions included in official documents given by Olympia Electronics or if the buyer modifies the goods provided or has any repairs or re-setting done by a third party, unless Olympia Electronics has fully agreed to them in writing. Products that have been damaged can be returned to the premises of our company for repair or replacement, as long as the warranty period is valid.

Olympia Electronics reserves the right to repair or to replace the returned goods and to or not charge the buyer depending on the reason of deflection. Olympia Electronics reserves the right to charge or not the buyer the transportation cost.

## HEAD OFFICE

72nd km. O.N.R. Thessaloniki-Katerini

P.C. 60300 P.O. Box 06 Eginio Pierias Greece

[www.olympia-electronics.gr](http://www.olympia-electronics.gr)

[info@olympia-electronics.gr](mailto:info@olympia-electronics.gr)