



for a safer world

GR-6600/REL Fault relay module for emergency light



TECHNICAL CHARACTERISTICS

Operation voltage	2.7 - 3.3 VDC
Consumption	20mA
Housing	PC Casing
Ambient temperature range	5 to 40 °C
Storage temperature range	-40 to 70 °C
Maximum relative humidity	Up to 95%
Weight	12 gr.
Dimensions (L x W x H)	28x46x14 mm
Warranty	2 years

**Thank you for your trust in our products
Olympia Electronics - European manufacturer**

GENERAL

The fault relay module is a device that is used to relay fault conditions to an indicator panel.

FEATURES

- Powered from the luminary
- Output mode selection

FUNCTION

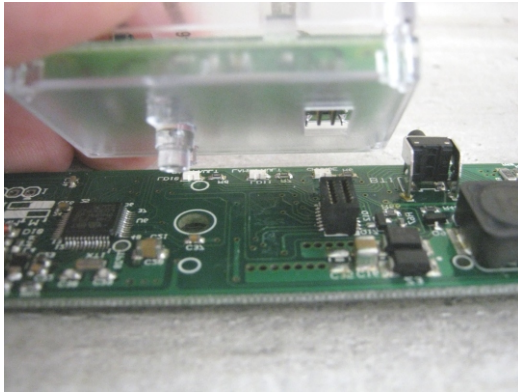
The fault relay module GR-6600/REL incorporate a mode selection jumper that is used to select the output state during a fault condition. The output state can be set to "NC" which means that the output terminals will be closed during a fault condition or to "NO" which means that the output terminals will be open during a fault condition. Depending on the type of activation required by the indication panel we must select "NO" or "NC".

The luminaire where the GR-6600/REL is installed contains 2 output terminals marked "A" and "B" which are the relay contacts of the GR-6600/REL. These contacts are connected to the inputs of the indication panel and are used to activate it.

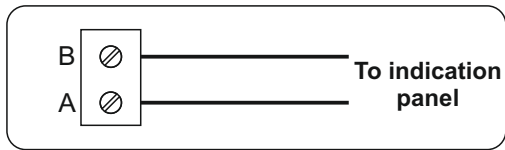
INSTALLATION

In order to install the module into a luminary, you must first disconnect the luminary from the mains and also from its battery. After that, you simply plug the module in the corresponding connector that is fitted on the luminary's pcb. When done, reconnect the battery to the luminary. Finally reconnect the luminary to the mains.

INSTALLATION EXAMPLE

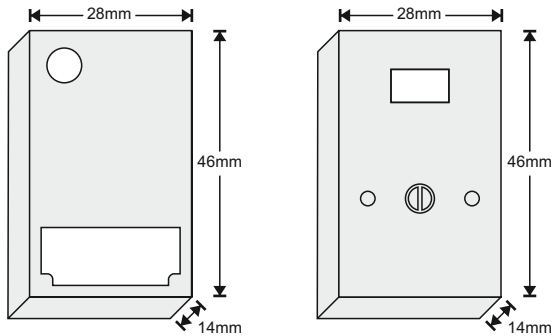


CONNECTION EXAMPLE



Use the Luminary's "A-B" contacts to connect the input of an indication panel.

Dimensions



WARRANTY

Olympia Electronics guarantees the quality, condition and operation of the goods. The period of warranty is specified in the official catalogue of Olympia Electronics and also in the technical leaflet, which accompanies each product. This warranty ceases to exist if the buyer does not follow the technical instructions included in official documents given by Olympia Electronics or if the buyer modifies the goods provided or has any repairs or re-setting done by a third party, unless Olympia Electronics has fully agreed to them in writing. Products that have been damaged can be returned to the premises of our company for repair or replacement, as long as the warranty period is valid. Olympia Electronics reserves the right to repair or to replace the returned goods and to or not charge the buyer depending on the reason of defection. Olympia Electronics reserves the right to charge or not the buyer the transportation cost.

HEAD OFFICE

72nd km. O.N.R. Thessaloniki-Katerini
P.C. 60300 P.O. Box 06 Eginio Pierias Greece

www.olympia-electronics.gr
info@olympia-electronics.gr