

Package Contents

- 1 Luminaire
- 2 Pictogram Sets
- 1 Mounting accessories
- 1 Manual

General

These devices are used indoors and (ta 40°C) in places where emergency light is needed. Each device must be permanently connected to mains power supply. In normal operation the battery is charging. In case of a mains power supply failure, the device enters emergency mode and the illumination LED turns on. When the mains power supply is restored the device turns to normal operation.

Manual Operational Test

By pressing the test button briefly an operation test is initiated. The light source and the emergency circuit of the device are tested. The manual test can be conducted only if the mains power supply and the battery are connected. During this test period the CHARGE LED starts blinking fast. The battery must have adequate charge. This test lasts for 3 seconds.

Manual Autonomy Test

A duration test can be conducted by pushing the button steadily for 5 to 10 seconds. In order to be performed, the mains power supply should be connected and the battery should be fully charged. The luminaire enters emergency mode, the CHARGE LED starts blinking fast. Its duration is the stated autonomy duration of the luminaire. If at the end of the test the autonomy is lower than the nominal, the FAULT LED will lit and battery needs to be replaced. If the result of the test is good then the luminaire enters charging mode and the CHARGE LED starts blinking fast until the battery is fully charged.

Automatic Operational Test

This test includes all the operations that are provided in Manual Operational Test and is conducted automatically every 15 days and lasts 3 seconds.

Automatic Autonomy Test

The Automatic Autonomy Test is conducted every 6 months and measures the device's back up operation and emergency duration. This test includes all functions of the Manual Autonomy Test.

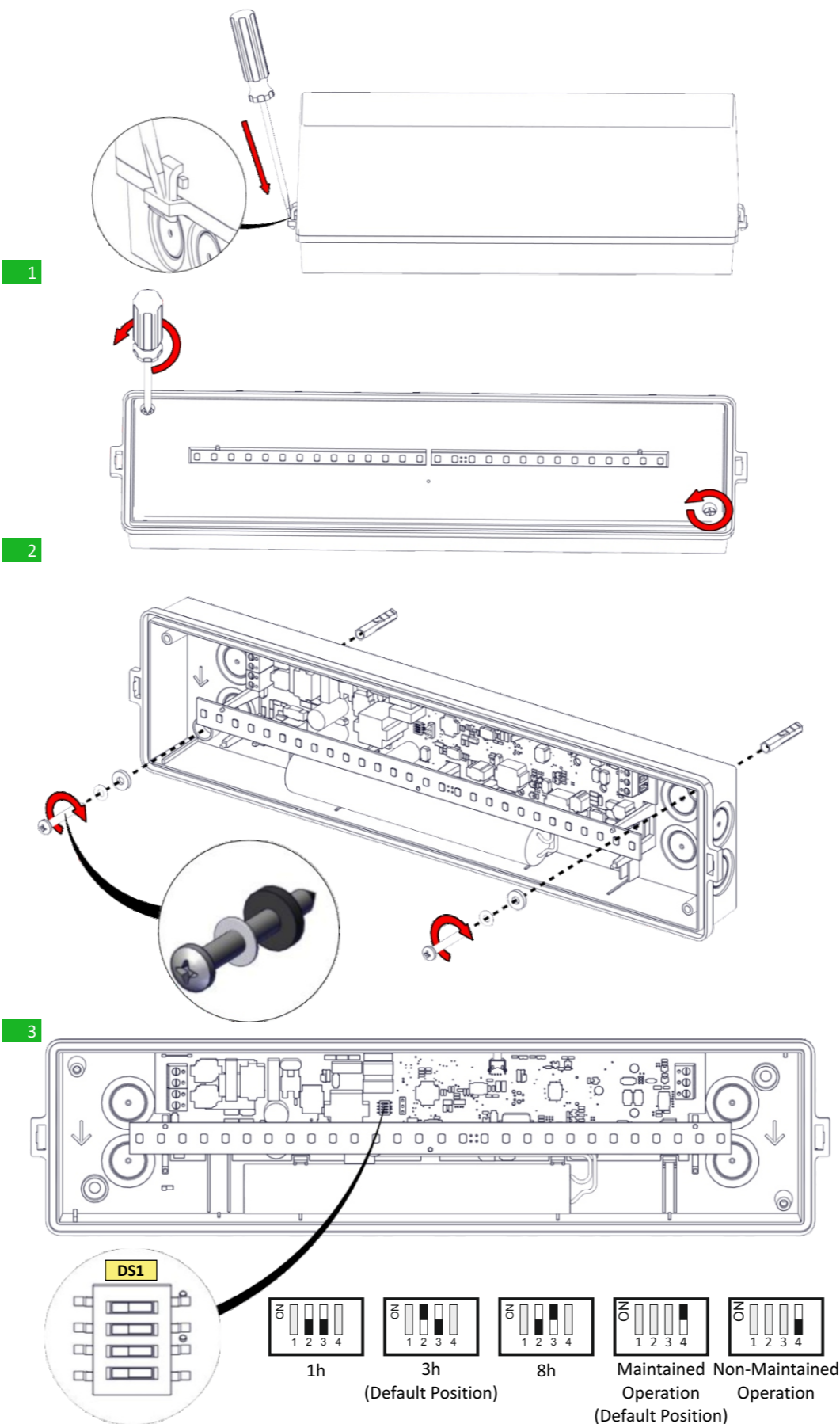
ATTENTION!!!

1. Operations for installation, maintenance or testing must be done by authorized personnel only.
2. Always use in any case round mains cable, with a diameter of 5-10mm (H05RN-F type 2x1mm² or any other type, at least equal to it's mechanical and electrical properties). ATTENTION!! The cable must not be deformed in any way (This requirement is important to ensure the IP rating).
3. The device must be connected to the mains power supply through a circuit breaker that is depends on the total line's power load.
4. In case of battery replacement, it must be replaced by the same type, by the manufacturer or a competent person.
5. In case of inactive use for a period greater than 2 months, disconnect the battery by pulling out the battery's connector.
6. **It is not allowed to discard batteries into common trash bins, they must be discarded only in battery recycling points. Do not incinerate.**

Indications LED Status

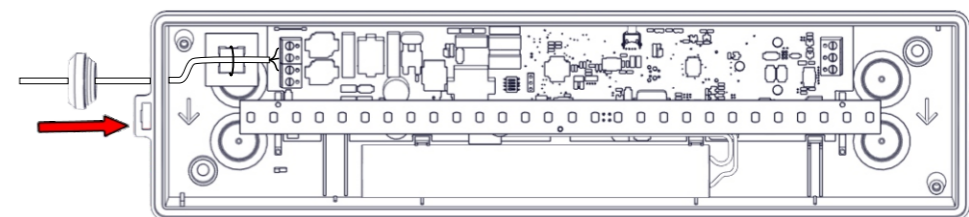
GREEN (charge)	RED (Fault)	Description
●	○	Normal
●	○	Charging (autonomy test not possible while charging)
○	○	Mains off (battery not connected or charger fault)
●	○	Autonomy Test (Duration: 1h, 3h, 8h)
∅	●	Battery Fault
●	○	Operational Test (Duration: 3s)
∅	●	Light Source Fault
∅	●	Battery Fault & Light Source Fault
Note:		● Permanently ON ● Fast Blink ● Slow Blink ○ Off ∅ Non relevant

Installation Instructions

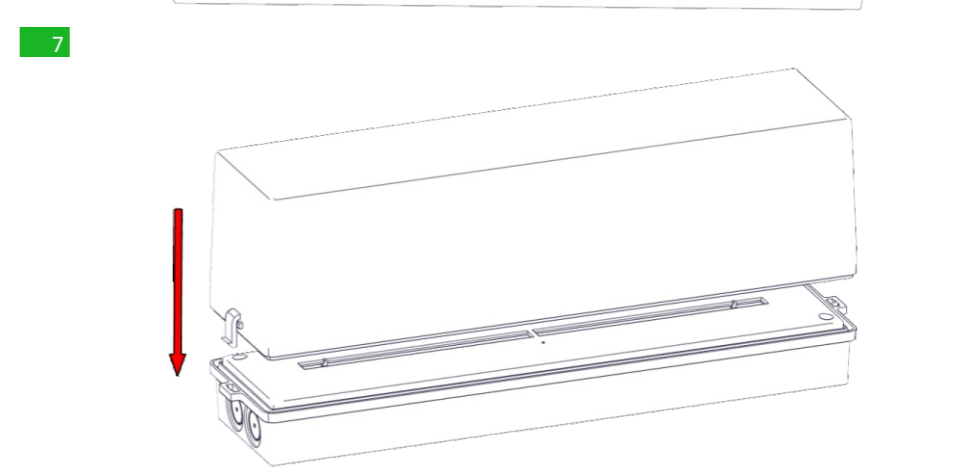
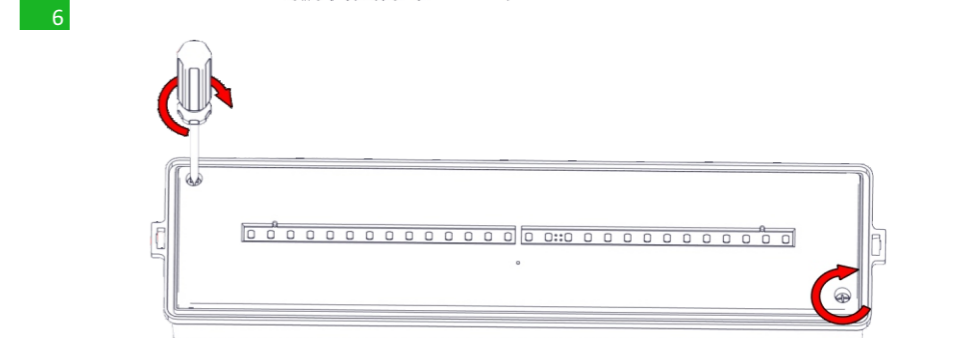
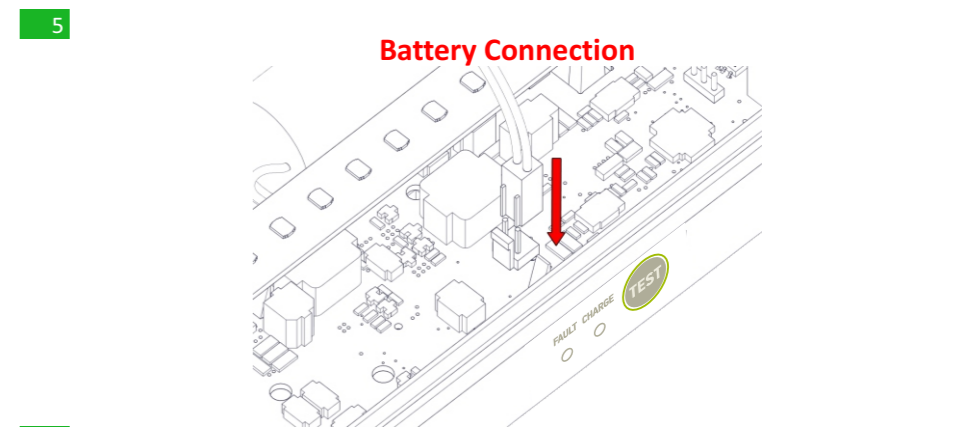
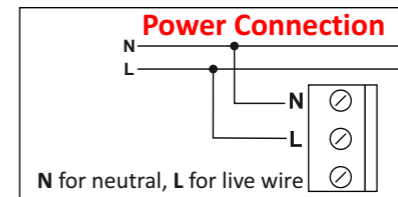


The user can select one of the 3 available minimum autonomy durations 1 hour, 3 hours and 8 hours. The selection is achieved through Switches 2 & 3 of DS1. Two additional labels are included in the package, one for 1 hour duration (60) and one for 8 hours duration (480). Depending on the selected duration, the installer must replace the default 3 hours (180) label with one that has the required duration. Please take notice of the orientation of the label.

The control of maintained or non maintained operation of the luminaire is achieved through Switch 4 of DS1. **ATTENTION! The selection must be done while the luminaire is disconnected from AC and battery supplies.**



Install the included grommet in to the cable entry hole (verify that is not deformed). Make a hole in the center of the grommet by using a small screwdriver. Pass the round cable through the grommet and connect the wires. Install the included tie-wrap to the included adhesive tether loop and fasten securely the power cable in order to anchor it. **ATTENTION!! The cable must not be deformed in any way (This requirement is important to ensure the IP rating).**



NOTE!!
After finishing the installation you must power the luminaire for at least 24 hours in order to completely charge the battery. The rated autonomy duration can be achieved after that time.

Battery Replacement

It can be done only by a competent person and after the mains interruption.

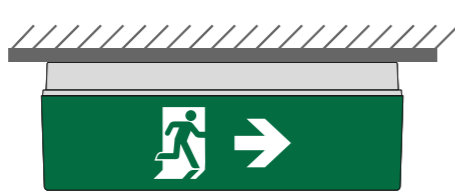
1. Dismantle the luminaire.
2. Disconnect the battery connector and remove the old battery.
3. Connect the new battery with the same type and characteristics.
4. Assemble the luminaire.

Mounting Methods

Wall installation
(15m Viewing Distance)

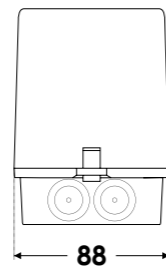
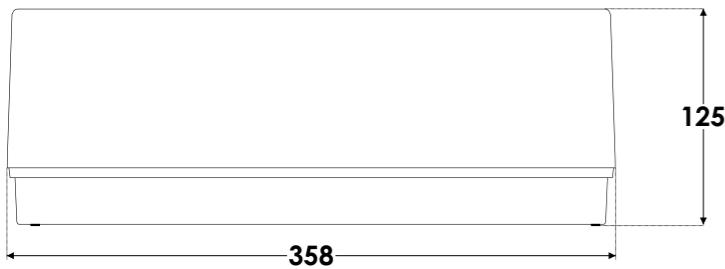


Ceiling installation
(17m Viewing Distance)

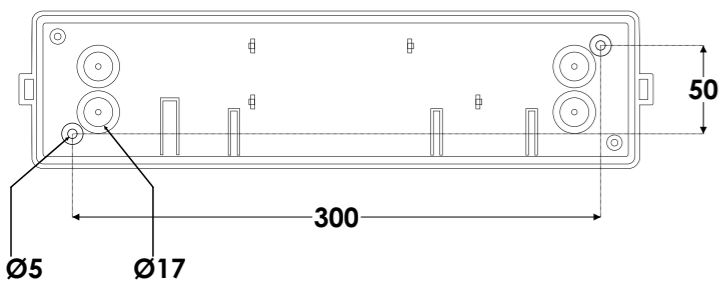
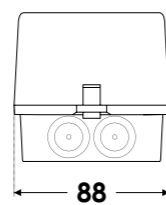
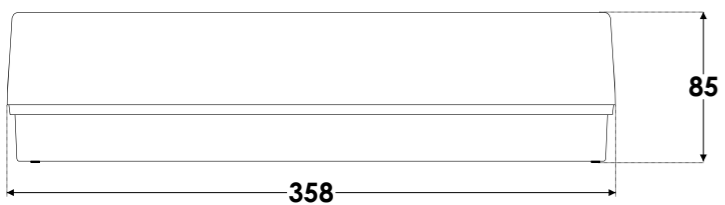


Dimensions HP: 358 x 125 x 88 (in mm)
Dimensions LP: 358 x 85 x 88 (in mm)

HP = High Profile



LP = Low Profile



NOTE: LED= Light Emitting Diode

LABELING EXPLANATION:

- X: Self contained
- 1: Maintained/Non maintained operation (*)
- A: Including test device
- F: Automatic test gear complying with IEC 61347-2-7 denoted EL-T
- G: Internally illuminated safety sign
- 60: 1 hour duration
- 180: 3 hours duration
- 480: 8 hours duration

(*) **Maintained operation:** The luminaire lights its illumination source, when it is powered by the mains power supply or not.

Non Maintained operation: The luminaire lights its illumination source, only in power supply's failure.

NOTE!! The installer should fill in, on the specification label, the letter **G** if the luminaire is used as a safety sign.

X	1	A	F	60
---	---	---	---	----

↑
G

ATTENTION

The light source contained in this luminaire shall only be replaced by the manufacturer, or his agent, or a similar qualified person.

NOTE!! The light source is non-user replaceable.

Technical Characteristics

	GR-750/ST/HP/LL GR-751/ST/LP/LL	GR-752/ST/HP/HL GR-753/ST/LP/HL
OPERATION VOLTAGE	220 - 240V AC / 50-60Hz	
MAXIMUM POWER CONSUMPTION	3.8W / 4.1VA	5.1W / 5.4VA
SUPPLY CURRENT	18mA	24mA
U-OUT	15V	
Prated (Mains, 1h / 3h / 8h)	1.52W , 1.61W / 0.79W / 0.16W	1.5W , 1.9W / 1.5W / 0.5W
Irated (Mains, 1h / 3h / 8h)	139mA , 147mA / 74mA / 16mA	135mA , 170mA / 132mA / 43mA
MAX. OPERATION CIRCUIT VOLTAGE	15V	
WIRE CROSS SECTION	0.8 - 2.5mm ²	
MINIMUM POWER FACTOR	0.82	0.80
INSULATION BETWEEN SUPPLY & CONTROL TERMINALS	Basic Insulation	
INSULATION BETWEEN SUPPLY & BATTERY CIRCUIT	Basic Insulation	
BATTERY (Ni-Cd)	3.6V / 1.5Ah	3.6V / 3Ah
BATTERY PROTECTION	Deep discharge and overcharge protection The control gear will recharge the battery normally after the test of 22.3	
MIN. MAX. DISCHARGE VOLTAGE	3.1V - 4.5V	
MIN. MAX. DISCHARGE CURRENT	60mA - 870mA	145mA - 1000mA
MIN. MAX. CHARGE CURRENT	100mA - 105mA	209mA - 210mA
TRICKLE CHARGE CURRENT	53mA	96mA
MAX CHARGER VOLTAGE	4.5V	4.7V
INDICATIONS/CONTROLS	Fault, Charge / Test Button	
CHARGE TIME	23 hours	
MINIMUM DURATION	1 hour , 3 hours , 8 hours manually selected (default 3hours)	
LIGHT SOURCE	28 White LED	
LIGHT SOURCE LUMINOUS FLUX (MAINS)	270lm	
LIGHT SOURCE LUMINOUS FLUX (EMERGENCY)	1h = 300lm, 3h = 150lm, 8h = 30lm 1h = 350lm, 3h = 280lm, 8h = 90lm	
DEGREES OF COVER PROTECTION	IP54	
PRODUCED IN ACCORDANCE WITH	EN 60598-1, EN 60598-2-22, EN 55015, EN 61547, EN 61000-3-2, EN 61000-3-3	
OPERATION TEMPERATURE RANGE	5 - 40°C	
CONTROL GEAR MAX. TEMPERATURE: tc	47°C	
VIEWING DISTANCE (as safety sign)	15m* (Wall Installation) - 17m** (Ceiling Installation)	
RELATIVE HUMIDITY	Up to 95%	
CONSTRUCTION MATERIAL	ABS/PC, PC	
EXTERNAL DIMENSIONS (L x W x H)	HP = 358 x 125 x 88 (mm), LP = 358 x 85 x 88 (mm)	
WEIGHT	GR-750 = 770gr	GR-751 = 740gr GR-752 = 840gr GR-753 = 800gr
GUARANTEE	3 years (1 year for the battery)	
CONTROL GEAR WITH AUTOMATIC TEST FUNCTION	EL-T	

*15m: When the luminaire is installed on a wall. **17m: When the luminaire is installed on the ceiling.

LED Characteristics

MANUFACTURER	Olympia Electronics S.A.	
MODEL NUMBER	1606223	
VOLTAGE RANGE	8.4V - 12.4V	
NOMINAL POWER (1h / 3h / 8h)	1W / 0.51W / 0.1W	1.25W / 0.98W / 0.32W
CONNECTIONS	Non-reversible pin connection between main pcb and LED pcb	
TEMPERATURE (tc)	47°C max. across the board	

Warranty

Olympia Electronics guarantees the quality, condition and operation of the goods. The period of warranty is specified in the official catalogue of Olympia Electronics and also in the technical leaflet, which accompanies each product. This warranty ceases to exist if the buyer does not follow the technical instructions included in official documents given by Olympia Electronics or if the buyer modifies the goods provided or has any repairs or re-setting done by a third party, unless Olympia Electronics has fully agreed to them in writing. Products that have been damaged can be returned to the premises of our company for repair or replacement, as long as the warranty period is valid.

Olympia Electronics reserves the right to repair or to replace the returned goods and to or not charge the buyer depending on the reason of defection. Olympia Electronics reserves the right to charge or not the buyer the transportation cost.

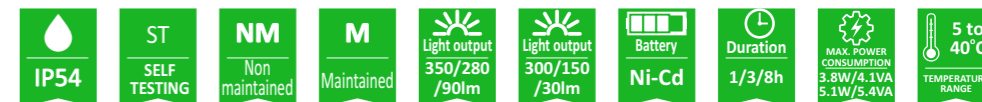


72nd km. O.N.R. Thessaloniki-Katerini
P.C. 60300 P.O. Box 06 Eginio Pierias Greece

www.olympia-electronics.com
info@olympia-electronics.gr



GR-750/ST/HP/LL & GR-751/ST/LP/LL GR-752/ST/HP/HL & GR-753/ST/LP/HL "BAU LIGHT" SERIES SELF TESTING MAINTAINED/NON-MAINTAINED EMERGENCY LUMINARIES



Thank you for your trust in our products
Olympia Electronics - European manufacturer