

GR-7604/V2 Network Extender



TECHNICAL CHARACTERISTICS	
Operation voltage	220 - 240 VAC (50 - 60Hz)
Consumption	1.5VA
Tx/Rx frequency range	868 - 870MHz
Tx power	11dBm
Produced in accordance with	EN 62311:2008, EN 62368-1:2014 +AC:2015, ETSI EN 301 489-1 V1.9.2, ETSI EN 301 489-3 V1.6.1, ETSI EN 300 220-2 V3.1.1
Housing	ABS/PC
Ambient temperature range	5 to 40 °C
Storage temperature range	-40 to 70 °C
Maximum relative humidity	Up to 95%
Weight	185gr.
Dimensions (L x W x H)	120 x 80 x 34mm
Warranty	2 years


The **GR-7604/V2** Network Extender is a device used to extend the coverage of the wireless network for emergency lighting, in places outside the vicinity of the Gateway device of the same network. This devices re-transmits the signal received by other wireless devices, which share the same SID and RF Channel.



Features:


- Powered from mains 220 - 240VAC
- Status and signal indication LEDs

Indications:

 : Power On LED (Green).

RF : RF connection status (Orange). This LED may blink according to the following patterns:

1. Steady ON: The device has established direct connection to a Gateway Device, and at least one more Gateway Device is available for alternate routing.
2. Rapid flash [5 times/s]: The device has established direct connection to a single Gateway.
3. Fast flash [2 times/s]: The device has established connection to a Router Device, and at least one more Router Device is available on the same hop level, as an alternate route (redundant connection).
4. Moderate flash [1 second ON / 1 second OFF]: The device has established connection to a single Router Device, and no alternatives exist on the same hop level.
5. No light: The device is disconnected.

 : Received signal strength indication (RSSI) of the network extender (Orange). This LED may blink according to the following patterns:

1. Very fast flash [5 times/s]: received signal strength is excellent.
2. Fast flash [2 times/s]: received signal strength is good.
3. Moderate flash [1 second ON / 1 second OFF]: received signal strength is acceptable for reliable communication.
4. Very slow [2 second ON / 2 second OFF]: received signal strength is not acceptable for reliable communication, or no signal.

Installation:

This device is used to extend the Gateway's signal range. In order to choose the best spot for installation, a GR-7605/V2 RSSI Tester should be used (check signal reception). The network extender should not be installed in places near metallic surfaces, because this will affect the RF signal strength. Furthermore it is advised that the status LEDs of the device should be visible by the technician.

Button function*:

- Short press (<2s): Send status to the Gateway.
- Long press (>10s): Reset to default settings.

*The Button is only accessible when the front cover is removed. See schem. 1 below.

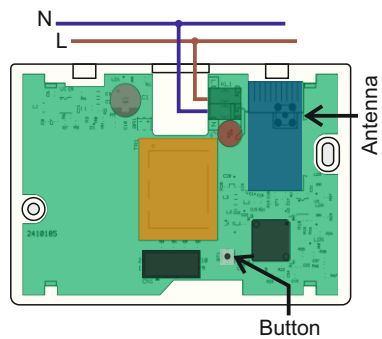
Default settings:

- SID = 00000001
- RF Channel = 2 (869.525MHz)

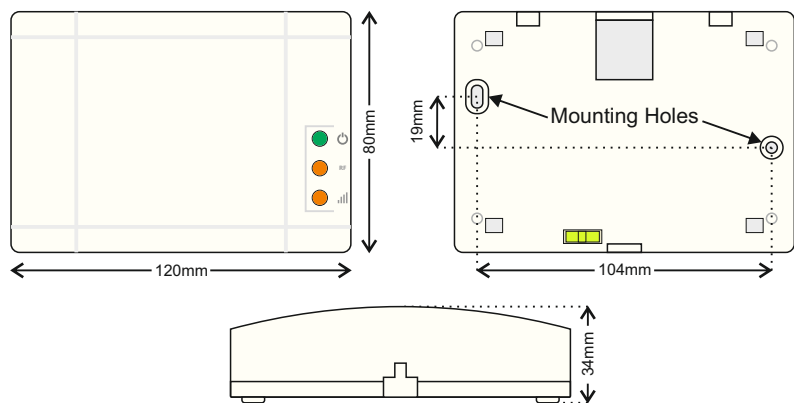
Important note:

This device is powered from the mains, so in case of mains interruption it will stop working. If your wireless network needs to be "alive" during this situation, care should be taken so that the device is powered by a UPS system.

Schematic 1: Wiring



Schematic 2: Dimensions



Warranty

Olympia Electronics guarantees the quality, condition and operation of the goods. The period of warranty is specified in the official catalogue of Olympia Electronics and also in the technical leaflet, which accompanies each product. This warranty ceases to exist if the buyer does not follow the technical instructions included in official documents given by Olympia Electronics or if the buyer modifies the goods provided or has any repairs or re-setting done by a third party, unless Olympia Electronics has fully agreed to them in writing. Products that have been damaged can be returned to the premises of our company for repair or replacement, as long as the warranty period is valid.

Olympia Electronics reserves the right to repair or to replace the returned goods and to or not charge the buyer depending on the reason of deflection. Olympia Electronics reserves the right to charge or not the buyer the transportation cost.

HEAD OFFICE

72nd km. O.N.R. Thessaloniki-Katerini
P.C. 60300 P.O. Box 06 Eginio Pierias Greece

www.olympia-electronics.gr

info@olympia-electronics.gr