

GR-43

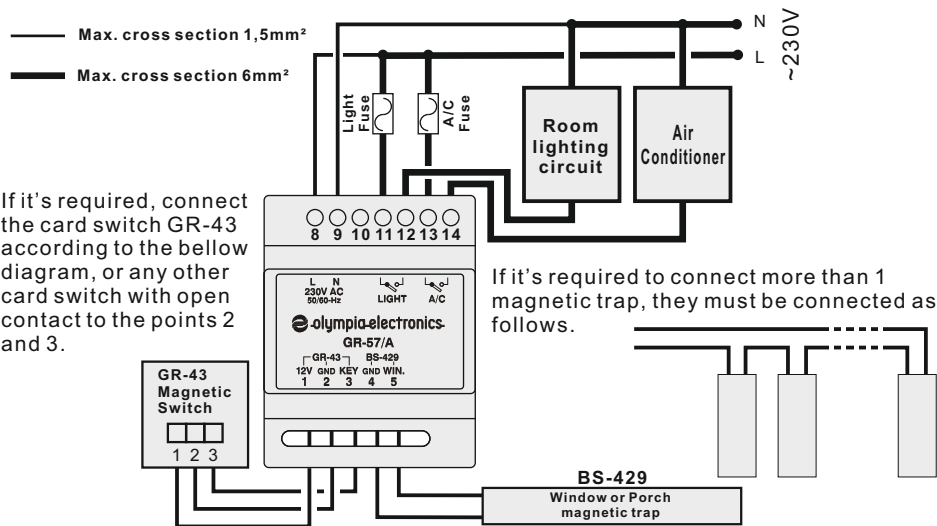
MAGNETIC CARD SWITCH FOR ACTIVATING GR-45/A, GR-56/A & GR-57/A DEVICES



**Thank you for your trust in our products
Olympia Electronics - European manufacturer**

GENERAL

It is mostly used in hotels and rented room. It 's main purpose is to control the mains power supply that is used to operate the room lighting and the air-conditioner in a room. This device co-operates with the GR-45/A, GR-56/A or GR-57/A. The connection between these 2 devices requires 3 wires and is shown in the figure below. It has a built-in indication LED which is used to locate the device in the dark. The device operates only with GR-44 magnetic cards.



Connection diagram between a GR-43 and a GR-45/A, GR-56/A or GR-57/A.

WARRANTY

Olympia Electronics guarantees the quality, condition and operation of the goods. The period of warranty is specified in the official catalogue of Olympia Electronics and also in the technical leaflet, which accompanies each product. This warranty ceases to exist if the buyer does not follow the technical instructions included in official documents given by Olympia Electronics or if the buyer modifies the goods provided or has any repairs or re-setting done by a third party, unless Olympia Electronics has fully agreed to them in writing. Products that have been damaged can be returned to the premises of our company for repair or replacement, as long as the warranty period is valid.

Olympia Electronics reserves the right to repair or to replace the returned goods and to or not charge the buyer depending on the reason of defection. Olympia Electronics reserves the right to charge or not the buyer the transportation cost.

HEAD OFFICE

72nd km. O.N.R. Thessaloniki-Katerini
P.C. 60300 P.O. Box 06 Eginio Pierias Greece

www.olympia-electronics.com

info@olympia-electronics.gr

GR-43

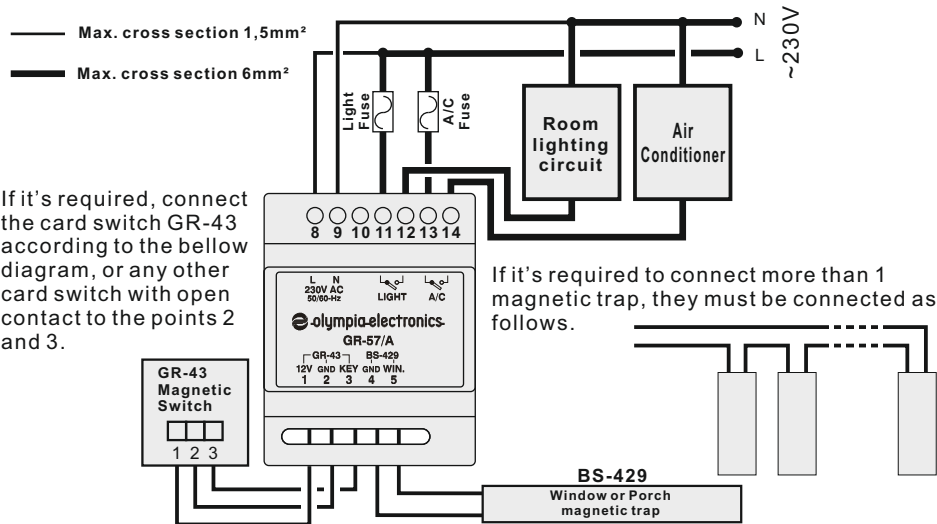
MAGNETIC CARD SWITCH FOR ACTIVATING GR-45/A, GR-56/A & GR-57/A DEVICES



**Thank you for your trust in our products
Olympia Electronics - European manufacturer**

GENERAL

It is mostly used in hotels and rented room. It 's main purpose is to control the mains power supply that is used to operate the room lighting and the air-conditioner in a room. This device co-operates with the GR-45/A, GR-56/A or GR-57/A. The connection between these 2 devices requires 3 wires and is shown in the figure below. It has a built-in indication LED which is used to locate the device in the dark. The device operates only with GR-44 magnetic cards.



Connection diagram between a GR-43 and a GR-45/A, GR-56/A or GR-57/A.

WARRANTY

Olympia Electronics guarantees the quality, condition and operation of the goods. The period of warranty is specified in the official catalogue of Olympia Electronics and also in the technical leaflet, which accompanies each product. This warranty ceases to exist if the buyer does not follow the technical instructions included in official documents given by Olympia Electronics or if the buyer modifies the goods provided or has any repairs or re-setting done by a third party, unless Olympia Electronics has fully agreed to them in writing. Products that have been damaged can be returned to the premises of our company for repair or replacement, as long as the warranty period is valid.

Olympia Electronics reserves the right to repair or to replace the returned goods and to or not charge the buyer depending on the reason of defection. Olympia Electronics reserves the right to charge or not the buyer the transportation cost.

HEAD OFFICE

72nd km. O.N.R. Thessaloniki-Katerini
 P.C. 60300 P.O. Box 06 Eginio Pierias Greece
www.olympia-electronics.com
info@olympia-electronics.gr