

# RF-58 PRESENCE INDICATION LED (red and green LED)



TECHNICAL CHARACTERISTICS	
Operation voltage	220-240V AC/50-60Hz
Consumption (Max.)	7 VA
Degrees of cover protection	IP20
Produced in accordance with	EN 60598-1, EN 60598-2-1
Operation temperature	0 to 40 °C
Humidity	Up to 95% relative humidity
Construction material	Bayblend FR-3010 - polycarbonate (opaque)
Dimensions	78 (diameter) x 50 (height)mm
Weight	60 gr
Guarantee	2 years

Thank you for your trust in our products.  
Olympia Electronics - European manufacturer.

### DESCRIPTION

The RF-58 is a device that is used to indicate the presence of a customer in a hotel or rented room. The device operates in cooperation with the RF-57 and RF-43 or RF-85, that are products from our company. With the connection shown on figure 4, when the room is empty then the RF-58 emits a green color whereas when there is someone in the room the unit emits a red color.

### INSTALLATION

The installation of the device can be done on an interior wall by recess mounting it in an electrical wall switch box or it can be mounted on a false ceiling. (Figure1 and 2). The electrical box must have at least a 4cm depth and screw holes from mounting the unit.

Figure3 shows the connection of the RF-58 with the RF-57 and the RF-43/RF-85. In the same diagram we can also see the suggested cable cross sections.

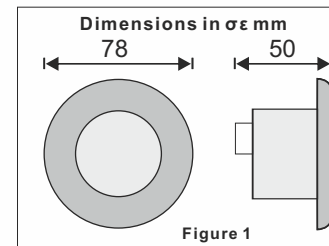


Figure 1

Install the ring on the electrical box and fasten it with the supplied screws



Figure 2

After making the connection (figure 4), place the unit on the electrical box and lock in into place by rotating towards the right



Figure 3

You can order the unit with a gold decorative ring (A-82/G) or with a silver decorative ring (A-82/SL).

Card switch  
Light and A/C control  
RF-85

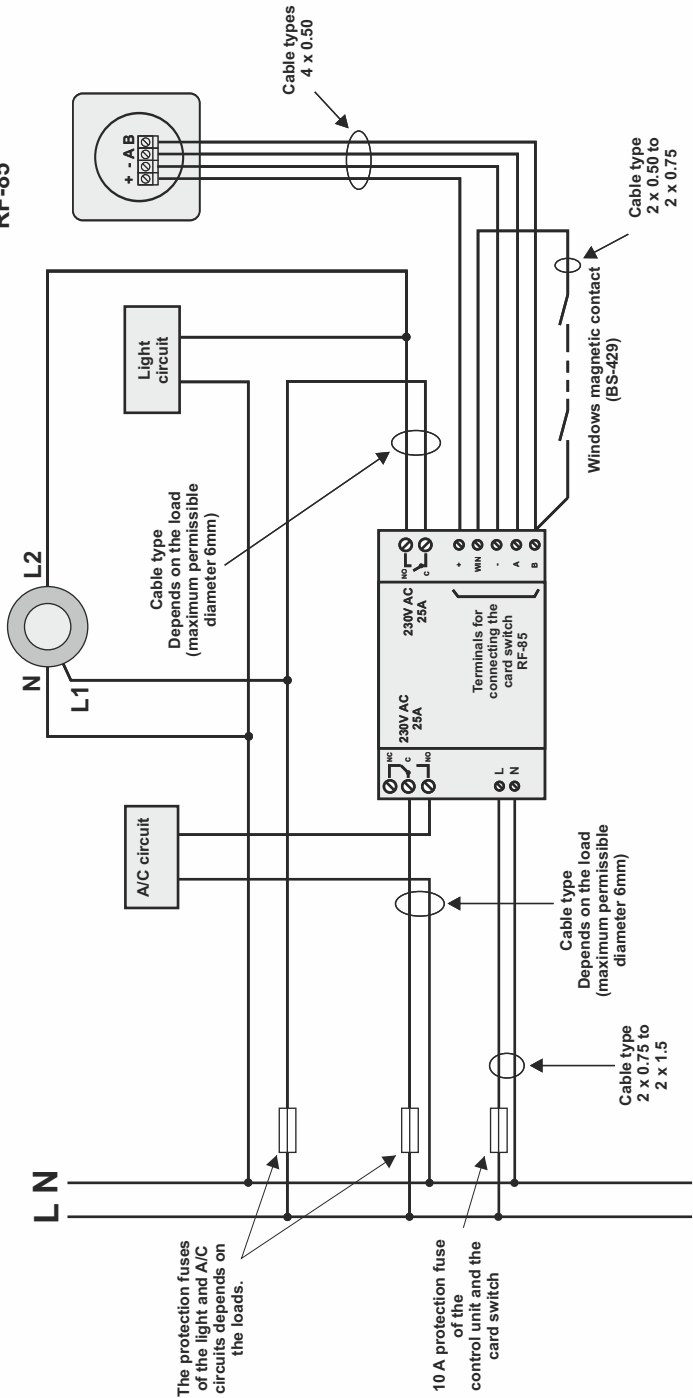


Figure 4



The light source contained in this luminaire shall only be replaced by the manufacturer, or his agent, or a similar qualified person.

NOTE! The light source is non-user replaceable.

**WARRANTY**

Olympia Electronics guarantees the quality, condition and operation of the goods. The period of warranty is specified in the official catalogue of Olympia Electronics and also in the technical leaflet, which accompanies each product. This warranty ceases to exist if the buyer does not follow the technical instructions included in official documents given by Olympia Electronics or if the buyer modifies the goods provided or has any repairs or re-setting done by a third party, unless Olympia Electronics has fully agreed to them in writing. Products that have been damaged can be returned to the premises of our company for repair or replacement, as long as the warranty period is valid.

Olympia Electronics reserves the right to repair or to replace the returned goods and to or not charge the buyer depending on the reason of defection. Olympia Electronics reserves the right to charge or not the buyer the transportation cost.

**HEAD OFFICE**

72nd km. O.N.R. Thessaloniki-Katerini  
P.C. 60300 P.O. Box 06 Eginio Pierias Greece  
www.olympia-electronics.gr