



Smart THERMOSTATS WiFi



Environmental Friendly Company

Olympia Electronics SA highlights its commitment to support and promote sustainable development and the principles of Corporate Social Responsibility through a global strategy. The company operates in the field of production of integrated security systems and implements practices aimed at protecting the environment, the addition of social value and the development of corporate social responsibility.



BS-855/W



APPROVAL
SWISS
 Objectively True
 ISO 14001, ISO 45001, ISO 9001



www.olympia-electronics.com



www.olympia-electronics.com



BS - 855 / W

Smart temperature control with modern aesthetics.

The BS-855W is a modern Wi-Fi thermostat, designed to provide easy and accurate temperature control for your space. With clean lines, a discreet appearance and a backlit display, it blends harmoniously into any contemporary environment.

Connect with the **comfort** of your space



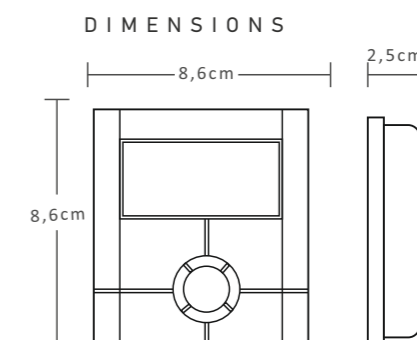
Key Features:

- **Wi-Fi connection:** Wi-Fi connectivity via the Smart Life app, based on the Tuya platform.
- **Heating compatibility:** Suitable for underfloor heating and wall-mounted boilers.
- **Temperature accuracy:** 0.5°C temperature control accuracy.
- **Weekly program:** 5+2, 6+1 or 7-day weekly programming.
- **Holiday mode:** Holiday mode for energy saving.
- **Manual mode:** Temporary manual operation.
- **Child lock:** Child lock function.
- **Power-Off memory:** Settings memory after power failure.
- **Easy installation:** Easy and quick installation.
- **Battery power:** Powered by 2 AA batteries.
- **Temp calibration:** Temperature display calibration.
- **Low temp protection:** Anti-freeze / low-temperature protection.
- **Int sensor deadzone:** Sensor deadzone to prevent frequent activation.
- **Device state on power:** Device status recovery after power failure.
- **Max / Min temperature limit:** Maximum and minimum temperature limits.
- **Mode selection:** Heating and cooling mode selection.
- **Windows open:** Open-window detection / protection.
- **Windows open set temp:** Temperature setting for open-window mode.
- **Windows open run time:** Open-window mode operating duration.
- **Program type:** Weekly program type.
- **Weekly program setting:** Daily time and temperature schedule setting.
- **History status query:** Device operation history.

With the BS-855W, temperature management becomes simpler, more flexible and more efficient. The combination of Wi-Fi operation, backlit display and programmable settings offers direct control and easy adjustment to the needs of your space, at any time of the day.

Through the Smart Life app, based on the Tuya platform, users can manage the thermostat in a practical way, enjoying greater flexibility in everyday heating control. The weekly programming function allows the temperature to be adjusted according to the needs of each day.

With $\pm 0.5^\circ\text{C}$ control accuracy, holiday mode, child lock and settings memory in case of power failure, the BS-855W is a reliable choice for homes, offices and professional spaces.



Wi-Fi connectivity through the Smart Life / Tuya app.

