



BSR-5036/A/MAR

Addressable manual call point

TECHNICAL CHARACTERISTICS

OPERATION VOLTAGE	21-28V
STANDBY CONSUMPTION	1mA
ALARM CONSUMPTION	1.5mA (with activation LED)
TYPE	Type A
USE	Indoor
DEGREES OF COVER PROTECTION	IP 44
PRODUCED IN ACCORDANCE WITH	EN 54-11, IEC 60092-504, IEC 60533
OPERATION TEMPERATURE RANGE	0 to 60 °C
RELATIVE HUMIDITY	Up to 95%
CONSTRUCTION MATERIALS	Bayblend FR3010
EXTERNAL DIMENSIONS	98x94x58mm
TYPICAL WEIGHT	190gr.
GUARANTEE	2 years

**Thank you for your trust in our products
Olympia Electronics - European manufacturer**

GENERAL

BSR-5036/A/MAR is used on ships and is an addressable manual call point which activates the fire detection panel.

It co-operates with BSR-2104/MAR, BSR-2114/MAR panels.

It is essential for it to exist in co-operation with the detectors. At least one button has to be placed in every fire detection system, near to the main control panel.

By pushing the clear plastic cover, the button activates the alarm system. The clear plastic cover does not brake but can be reset to its original position with the special plastic key which is included in the package. With this way you can test a specific button as well maintenance the fire detection panel.

In every fire detection system it is essential that you place one button besides the control panel and the rest mainly in corridors and exits of the building.

It is mounted in a clearly visible spot, near at exit or ladder and at a height of 1,5 meters.

A red coloured LED that blinks periodically in standby detection mode, is a power indication LED and indicator for the good operation of the device. When a button issues an alarm the LED lights. When we silence the sirens the LED remains lit to show us the detector that issued the alarm.

The LED goes off when we RESET the panel.

Each button has an address with which it is recognized from the panel.

It is forbidden for two devices with same addresses to be connect to the same loop.

The back page contains all the available address settings which are done using the dipswitch.

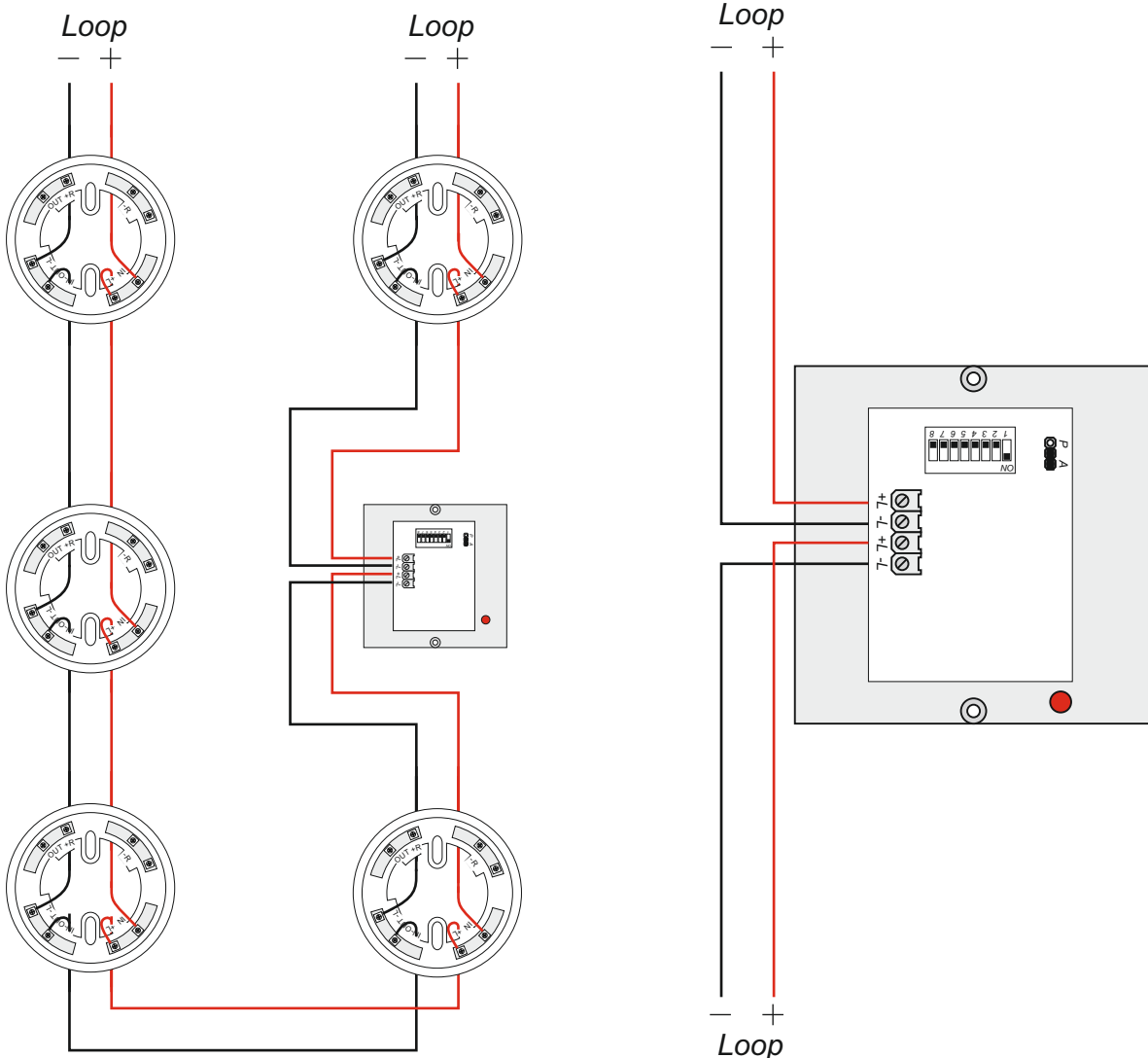
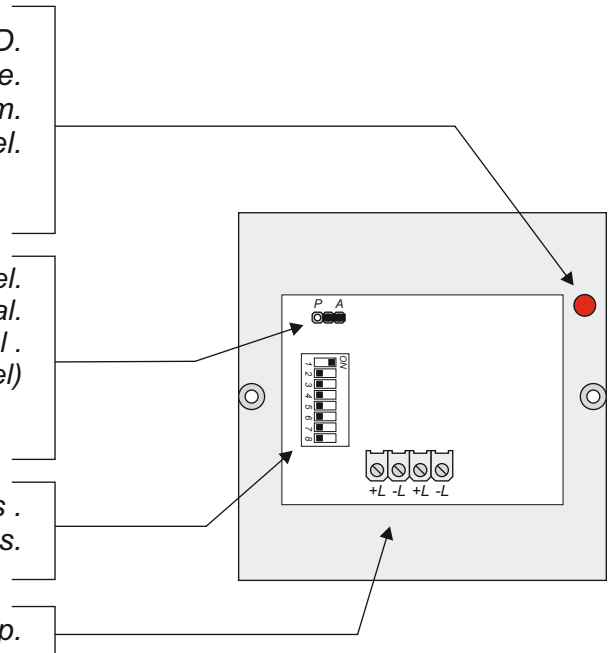
The panel references the buttons with the name CALL POINTS.

*Indicator LED.
Blinks periodically in standby detection mode.
The LED light when a button issue an alarm.
The LED goes off when we RESET the panel.*

*Select the signal that the button sends to the panel.
In position (Á) the button sends an alarm signal.
In position (Ñ) the button sends a prealarm signal .
(We have to also programm the panel)*

*Address selection dypsitches .
Áach device has its own address.*

Terminal block for connecting to the loop.



Address	Dipswitch setting	Address	Dipswitch setting	Address	Dipswitch setting	Address	Dipswitch setting
1		31		61		91	
2		32		62		92	
3		33		63		93	
4		34		64		94	
5		35		65		95	
6		36		66		96	
7		37		67		97	
8		38		68		98	
9		39		69		99	
10		40		70		100	
11		41		71		101	
12		42		72		102	
13		43		73		103	
14		44		74		104	
15		45		75		105	
16		46		76		106	
17		47		77		107	
18		48		78		108	
19		49		79		109	
20		50		80		110	
21		51		81		111	
22		52		82		112	
23		53		83		113	
24		54		84		114	
25		55		85		115	
26		56		86		116	
27		57		87		117	
28		58		88		118	
29		59		89		119	
30		60		90		120	

