



est. 1979
**olympia™
 electronics**
 SAFETY & SECURITY SYSTEMS

for a safer world!



est. 1979
**olympia™
 electronics**
 SAFETY & SECURITY SYSTEMS

for a safer world!

LOW PROFILE EMERGENCY CONVERSION KIT



GR-1107/LF
 For 3 hours duration use with LiFePO4 6.4V 3.0Ah Battery
 For 1.5 hours duration use with LiFePO4 6.4V 1.5Ah Battery

Charge time: ≥ 16 hours
 Charge current: 0-300mA
 Do not use high voltage
 test instrument 1
 Output voltage: 50-300V
 Uout (open circuit voltage): 350V

Mains Supply AC
 220-240V 50-60Hz
 60mA 3W max
 Power factor: >0.6
 ta: 0...50°C tc: 70°C

LED Control gear +
 300V 0.5A Max -
 Output Leds +
 50-300V 4W -

Battery LED indicator
 Red +
 Black -
 Test button S1
 (Normally open) S2

CON4

EL CE

GR-1107/LF



Environmental Friendly Company

Olympia Electronics SA highlights its commitment to support and promote sustainable development and the principles of Corporate Social Responsibility through a global strategy. The company operates in the field of production of integrated security systems and implements practices aimed at protecting the environment, the addition of social value and the development of corporate social responsibility.



APPROVAL
SWISS
 Objectively True
 ISO 14001, ISO 45001, ISO 9001

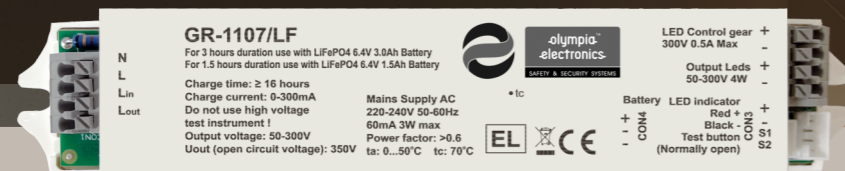


www.olympia-electronics.com



www.olympia-electronics.com

Smart emergency conversion for LED lighting

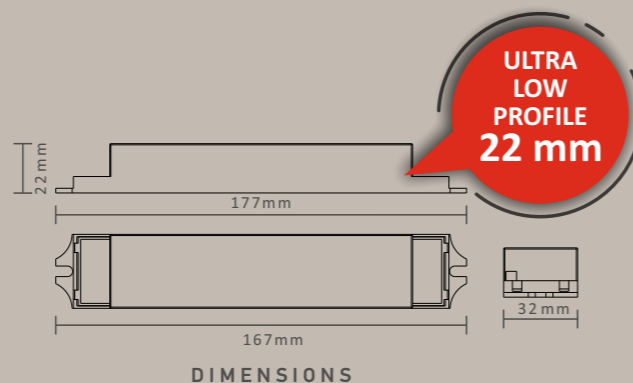


The new GR-1107/LF series by Olympia Electronics offers a reliable and flexible solution for converting standard LED luminaires into emergency lighting systems. Thanks to its small and compact size, it can be easily installed in any luminaire, even in limited spaces. Designed for modern lighting installations, the series supports both maintained and non-maintained operation, ensuring dependable performance during emergency conditions.

Featuring advanced LiFePO4 battery technology, the GR-1107/LF converters provide enhanced reliability, extended battery lifetime of up to 10 years, and minimal maintenance requirements. The integrated processor intelligently manages battery charging and discharging, maximizing

efficiency and protecting the system throughout its operation.

The series offers constant 4W output power, supports LED luminaires operating from 50 to 300V DC, and includes integrated short-circuit protection for the LED output. Depending on the selected model, the unit provides 90 or 180 minutes of emergency autonomy.



Advanced LiFePO4 Technology

At the heart of the GR-1107/LF series lies state-of-the-art LiFePO4 battery technology, engineered for high performance and long-term reliability. This technology ensures stable operation, fast recharging capability, and enhanced safety, making it the ideal choice for modern emergency lighting applications.

Flexible Emergency Lighting Solution

The converters can be easily integrated into existing LED luminaires, allowing installers to transform conventional lighting fixtures into efficient emergency luminaires without replacing the main fixture. Their compact dimensions enable easy installation even in limited spaces.

Reliability & Safety

Olympia Electronics designs and manufactures safety products according to strict European quality and reliability standards. The GR-1107/LF series complies with EN 61347-1, EN 61347-2-7, EN 61347-2-13 and EN 55015 standards, ensuring high performance and operational safety for every installation.

Olympia Electronics SA highlights its commitment to sustainable development and responsible manufacturing of integrated safety systems by investing in technologies that protect the environment while delivering long-term reliability and performance.

- **Rated input voltage: 220-240V AC, 50/60Hz**
- **LiFePO4 battery 6.4V/3000mAh (/180 models) or 6.4V/2000mAh (/90 models)**
- **Recharge time: 24 hours max**
- **External LED driving type: Constant power output**
- **Ambient temperature range: 0°C to +50°C**
- **Compact & reliable emergency LED converter**
- **Suitable for LED luminaires conversion to emergency operation**
- **Advanced LiFePO4 technology for extended lifetime**