

SMART WI-FI READY SMOKE ALARM



for a safer world!



BS-508/WiFi



www.olympia-electronics.com

“Smart safety
that works for you”



BS-508/WiFi Autonomous WiFi smoke alarm

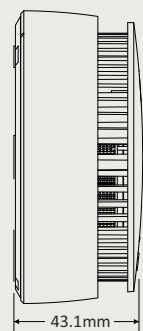
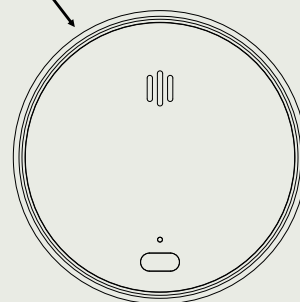
The BS-508/WiFi from Olympia Electronics is a modern, standalone smoke detector designed for today's connected lifestyle. With built-in WiFi and smartphone alerts via the Wisualarm app, it keeps you informed of potential smoke hazards in real time, whether you're at home or away. Its compact, elegant design blends seamlessly into any room, and the easy installation means you'll have instant protection in minutes. Ideal for homes, apartments, holiday residences, and garages, it's a smart upgrade for your safety and peace of mind. Smart features for total control.

Equipped with a dual-spectrum photoelectric smoke sensor, the BS-508/WiFi delivers accurate detection and a low false alarm rate. A powerful 85dB alarm with LED indicators alerts you to smoke, low battery, or device malfunction. The Wisualarm app lets you remotely test or silence the alarm and assign it to specific rooms for easier monitoring. With up to 2 years of battery life and full EU safety certification, it's reliable protection you can trust.



Dimensions

ø98mm



43.1mm





CE 22

1008
1008-CPR-MC 69266046 0001

CE-HX2022020901

EN 14604:2005

EN 14604:2005/AC:2008



Split-spectrum
smoke sensing
chamber



Smoke
Detection
chamber



Stay protected—wherever you are

Designed with both safety and convenience in mind, the BS-508/WiFi offers a range of smart features that set it apart from standard smoke detectors. From real-time alerts to easy remote control, here are the key benefits that make it an ideal choice for reliable, modern fire protection:

Loud 85dB alarm with LED alerts for smoke, low battery, and faults

- WiFi-enabled with real-time push notifications to your smartphone
- Remote control via the Wisualarm app (iOS & Android)
- Replaceable CR123A lithium battery – lasts up to 2 years
- Dual-spectrum smoke sensor for fast, accurate detection
- Easy ceiling installation with included mounting plate and screws
- Compatible with 2.4GHz home WiFi networks
- Perfect for homes, apartments, garages, and holiday homes
- Certified by TÜV Rheinland and CE marked, compliant with EU safety standards

Installation

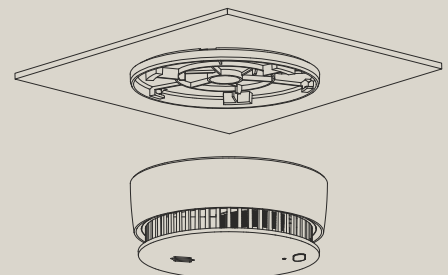
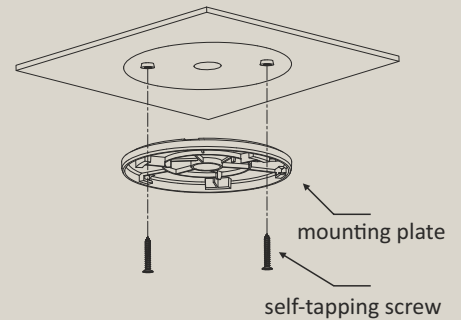


Figure 5



for a safer world!



Environmental Friendly Company

Olympia Electronics SA highlights its commitment to support and promote sustainable development and the principles of Corporate Social Responsibility through a global strategy. The company operates in the field of production of integrated security systems and implements practices aimed at protecting the environment, the addition of social value and the development of corporate social responsibility.



www.olympia-electronics.com

F-002-016