

GR-6600/ADR Addressable module for emergency lighting



TECHNICAL CHARACTERISTICS

Operation voltage (ADR bus)	12-25 VDC
Consumption (ADR bus - when idle)	300µA
Housing	PC Casing
Ambient temperature range	5 to 40 °C
Storage temperature range	-40 to 70 °C
Maximum relative humidity	Up to 95%
Weight	11 gr.
Dimensions (L x W x H)	28x46x14 mm
Warranty	2 years

Thank you for your trust in our products
Olympia Electronics - European manufacturer

GENERAL

The Addressable module GR-6600/ADR is a device that is used to provide Address connectivity between a self-contained emergency luminary and GR-6500 control panel.

FEATURES

- Powered from GR-6500 panel, no extra power consumption on luminary
- Built-in dipswitch for address selection (1 to 250)
- Easy to install, plug-in device
- All emergency data are available via the GR-6500 panel
- All emergency type commands can be send via the GR-6500 panel

ADDRESS SELECTION

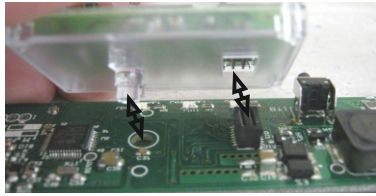
In order to set the address to a GR-6600/ADR module, use the built-in dipswitch. See the Address table on next page.

- Addresses must be unique and not repeated on a GR-6500 circuit.
- Addresses do not need to be in a numerical row.
- It is not obligatory to fill every address in a row, you can leave “empty spaces” between.
- It is recommended to set the module’s address before installing into a luminary, but it is also possible to set the address while it is connected.

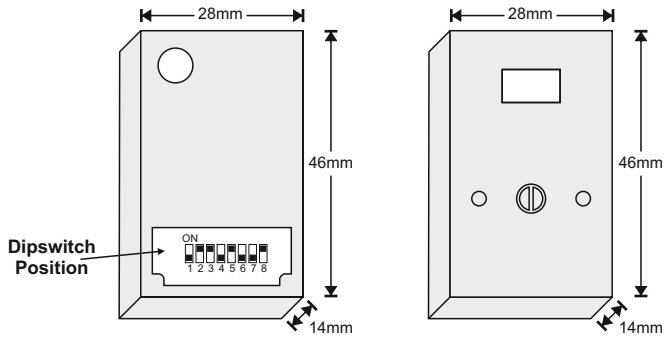
INSTALLATION

In order to install the module into a luminary, you must first disconnect the luminary from the mains and also from its battery. After that, simply plug the module in the corresponding connector that is fitted on the luminary’s pcb. When done, reconnect the battery and mains power to the luminary. Once modules Address is already set, proceed with setting up connection with the GR-6500 panel (see corresponding manual of the panel).

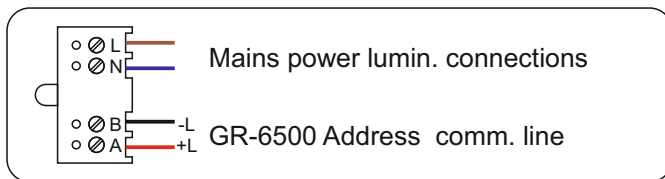
INSTALLATION EXAMPLE



DIMENSIONS



CONNECTION EXAMPLE



Use the Luminaire's "A -B" contacts to connect the Address communication output from the GR-6500 panel.

The +L cable is connected to "A".

The -L cable is connected to "B".

Address	Dipswitch setting	Address	Dipswitch setting	Address	Dipswitch setting	Address	Dipswitch setting
1		31		61		91	
2		32		62		92	
3		33		63		93	
4		34		64		94	
5		35		65		95	
6		36		66		96	
7		37		67		97	
8		38		68		98	
9		39		69		99	
10		40		70		100	
11		41		71		101	
12		42		72		102	
13		43		73		103	
14		44		74		104	
15		45		75		105	
16		46		76		106	
17		47		77		107	
18		48		78		108	
19		49		79		109	
20		50		80		110	
21		51		81		111	
22		52		82		112	
23		53		83		113	
24		54		84		114	
25		55		85		115	
26		56		86		116	
27		57		87		117	
28		58		88		118	
29		59		89		119	
30		60		90		120	

Address	Dipswitch setting	Address	Dipswitch setting	Address	Dipswitch setting	Address	Dipswitch setting
121		151		181		211	
122		152		182		212	
123		153		183		213	
124		154		184		214	
125		155		185		215	
126		156		186		216	
127		157		187		217	
128		158		188		218	
129		159		189		219	
130		160		190		220	
131		161		191		221	
132		162		192		222	
133		163		193		223	
134		164		194		224	
135		165		195		225	
136		166		196		226	
137		167		197		227	
138		168		198		228	
139		169		199		229	
140		170		200		230	
141		171		201		231	
142		172		202		232	
143		173		203		233	
144		174		204		234	
145		175		205		235	
146		176		206		236	
147		177		207		237	
148		178		208		238	
149		179		209		239	
150		180		210		240	

Address	Dipswitch setting
241	ON <input type="checkbox"/> 1 <input type="checkbox"/> 2 <input type="checkbox"/> 3 <input type="checkbox"/> 4 <input type="checkbox"/> 5 <input type="checkbox"/> 6 <input type="checkbox"/> 7 <input type="checkbox"/> 8
242	ON <input type="checkbox"/> 1 <input type="checkbox"/> 2 <input type="checkbox"/> 3 <input type="checkbox"/> 4 <input type="checkbox"/> 5 <input type="checkbox"/> 6 <input type="checkbox"/> 7 <input type="checkbox"/> 8
243	ON <input type="checkbox"/> 1 <input type="checkbox"/> 2 <input type="checkbox"/> 3 <input type="checkbox"/> 4 <input type="checkbox"/> 5 <input type="checkbox"/> 6 <input type="checkbox"/> 7 <input type="checkbox"/> 8
244	ON <input type="checkbox"/> 1 <input type="checkbox"/> 2 <input type="checkbox"/> 3 <input type="checkbox"/> 4 <input type="checkbox"/> 5 <input type="checkbox"/> 6 <input type="checkbox"/> 7 <input type="checkbox"/> 8
245	ON <input type="checkbox"/> 1 <input type="checkbox"/> 2 <input type="checkbox"/> 3 <input type="checkbox"/> 4 <input type="checkbox"/> 5 <input type="checkbox"/> 6 <input type="checkbox"/> 7 <input type="checkbox"/> 8
246	ON <input type="checkbox"/> 1 <input type="checkbox"/> 2 <input type="checkbox"/> 3 <input type="checkbox"/> 4 <input type="checkbox"/> 5 <input type="checkbox"/> 6 <input type="checkbox"/> 7 <input type="checkbox"/> 8
247	ON <input type="checkbox"/> 1 <input type="checkbox"/> 2 <input type="checkbox"/> 3 <input type="checkbox"/> 4 <input type="checkbox"/> 5 <input type="checkbox"/> 6 <input type="checkbox"/> 7 <input type="checkbox"/> 8
248	ON <input type="checkbox"/> 1 <input type="checkbox"/> 2 <input type="checkbox"/> 3 <input type="checkbox"/> 4 <input type="checkbox"/> 5 <input type="checkbox"/> 6 <input type="checkbox"/> 7 <input type="checkbox"/> 8
249	ON <input type="checkbox"/> 1 <input type="checkbox"/> 2 <input type="checkbox"/> 3 <input type="checkbox"/> 4 <input type="checkbox"/> 5 <input type="checkbox"/> 6 <input type="checkbox"/> 7 <input type="checkbox"/> 8
250	ON <input type="checkbox"/> 1 <input type="checkbox"/> 2 <input type="checkbox"/> 3 <input type="checkbox"/> 4 <input type="checkbox"/> 5 <input type="checkbox"/> 6 <input type="checkbox"/> 7 <input type="checkbox"/> 8

WARRANTY

Olympia Electronics guarantees the quality, condition and operation of the goods. The period of warranty is specified in the official catalogue of Olympia Electronics and also in the technical leaflet, which accompanies each product. This warranty ceases to exist if the buyer does not follow the technical instructions included in official documents given by Olympia Electronics or if the buyer modifies the goods provided or has any repairs or re-setting done by a third party, unless Olympia Electronics has fully agreed to them in writing. Products that have been damaged can be returned to the premises of our company for repair or replacement, as long as the warranty period is valid.

Olympia Electronics reserves the right to repair or to replace the returned goods and to or not charge the buyer depending on the reason of defection. Olympia Electronics reserves the right to charge or not the buyer the transportation cost.

HEAD OFFICE

72nd km. O.N.R. Thessaloniki-Katerini
 P.C. 60300 P.O. Box 06 Eginio Pierias Greece
www.olympia-electronics.gr
info@olympia-electronics.gr