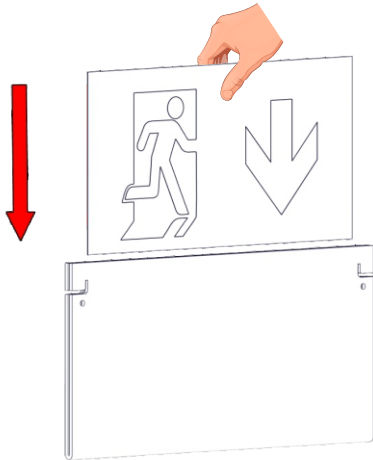
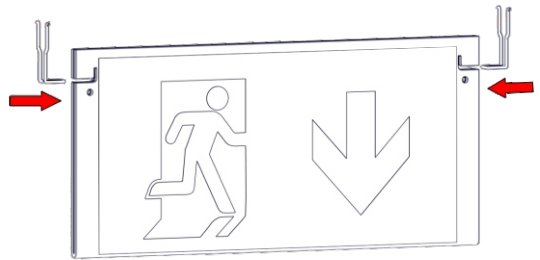


SP-1008 Marking panel for GR-8/LEDs

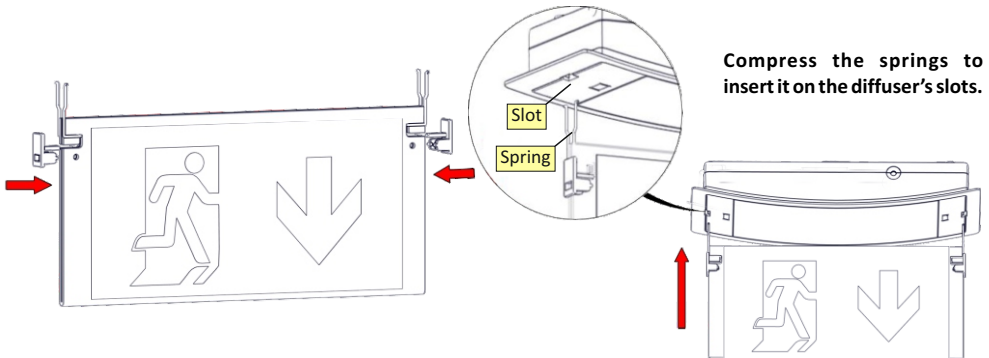
(Can be used only when the luminaire is installed on the ceiling)



Step 1: Install the required pictogram. There is one blind pictogram for one-sided marking.



Step 2: Place the holding accessories to the marking panel.



Step 3: Place the two plastic covers and push till a click sound is heard.

Step 4: Secure the marking panel to luminaire's diffuser.