



BS-413

Autonomous electronic siren with beacon for burglar alarm panels



TECHNICAL CHARACTERISTICS

OPERATION VOLTAGE	13,6-14,8V DC
QUIESCENT CONSUMPTION	6mA
SOUND LEVEL	115 dB / 1m
BATTERY TYPE	12V/1,3Ah Pb (sealed lead-acid) (not included)
USAGE	For external use
DEGREES OF COVER PROTECTION	IP20
PRODUCED IN ACCORDANCE WITH	EN 50130-4, EN 55022, EN 60950-1
OPERATION TEMPERATURE RANGE	-10 έως 60 °C
RELATIVE HUMIDITY	Up to 95%
CONSTRUCTION MATERIAL	Bayblend FR3010, clear polycarbonate (red)
EXTERNAL DIAMENSIONS	290x95x190mm
WEIGHT	1700gr.
GUARANTEE	2 years (6 months for A-989 battery)

**Thank you for your trust in our products
Olympia Electronics - European manufacturer**

GENERAL

The BS-413 alarm siren is of robust design and can be used with conventional burglar alarm panels such as the BS-468. It has a red beacon that blinks when the siren is activated and a piezo speaker that produces a sound level of 115dB at 1 meter.

The incorporated tamper mechanism protects the siren from unauthorized access when the cables are cut, the cover is removed or when the siren is unmounted from the wall.

There is also another 2 position jumper marked (TRIGGER) with the positions (-) and (+).

This jumper sets if the trigger in positive or negative. A positive trigger means that the **ST** (START) signal must be a positive voltage for the siren to be activated.

Mounting

It is mounted externally on a flat surface and at a height of about 2,5 meters. Also it should be placed in an area that does not obstruct the sound.

WARNING!!!

All 4 mounting screws must be used.

Connection

The connection between the siren and the BS-468 panel is shown on figure 1.

After finishing with the connections, connect the battery cables, install the internal cover and the front fascia of the siren by installing the screws on the bottom side. Finally remove the cable connected to the **SE** (Service) of the siren from the **(-)** of the panel. The siren will sound once to indicate that it is ready to operate and receive a command from the panel.

The siren now charges the battery and is ready to accept an ALARM signal from the panel or if the cables are cut. If we connect the **T1, T2** (TAMPER) signals then it will be activated if it is tampered with.

If you require, the siren to also be activated if the siren is dismantled from the wall, you must connect the T1, T2 (TAMPER) inputs.

*In case of maintenance or if the siren is moved from its mounting position, the **SE** (Service) input of the siren must be connected to the **(-)** of the panel and the panel must be set to OFF.*

Battery

If the battery has not been connected then the siren produces a single tone sound every 1 second.

Whereas if the battery does not operate correctly, a 3 tone sound is emitted every 12 hours.

Beacon

There is a two position (ON, OFF) jumper on the siren which is marked (LED FLASH). If a link is placed on the (ON) position, the beacon blinks every 4 seconds in the quiescent state. If no jumper is placed then the beacon is OFF during the quiescent state and blinks during the alarm.

Start signal

Alarm

The siren sounds the alarm in 2 cases, when the **ST** (START) signal is activated or when it's power is interrupted.

alarm signal.

Alarm duration

The siren is activated for as long as an alarm signal is issued but stops after 7 minutes. The siren will be reactivated with a new

Installation Instructions

A total of 7 cables are needed for connecting the siren.

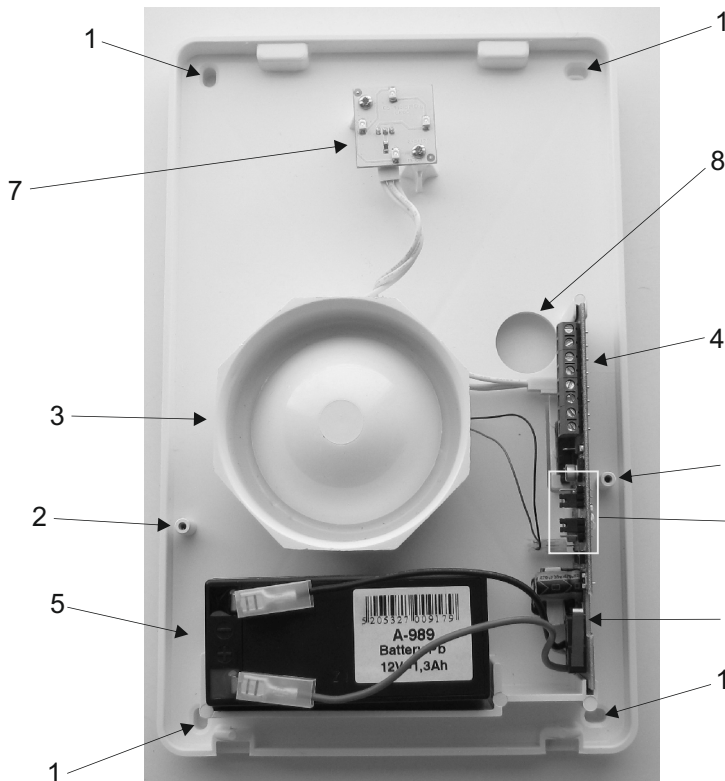
2 cables are needed for connecting the siren power supply.

The third cable is used for the **ST** (START) signal.

The fourth cable is the signal for the beacon **FL** (FLASH), which is not mandatory for the operation of the siren.

The fifth cable is for the **SE** (SERVICE) signal that prevents the siren from sounding during the installation. It must be connected during the connection procedure and disconnected (from the panel side) after the installation has finished.

The remaining 2 cables are used for connecting the **T1, T2** (TAMPER) inputs of the siren to the Z8 zone TAMPER of the panel. This method permits the siren to sound if tampered with and will also activate the auto telephone dialer.



1. Mounting points (**All four screws must be used**)

2. Inner cover mounting points

3. Piezo megaphone

4. Connection terminals

5. Battery compartment 12V/1,2Ah

6. TAMPER protection mechanism

7. Beacon

8. Cable entry hole

Jumpers

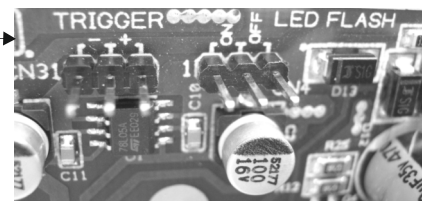


Figure 2. The main parts of the siren

Connections

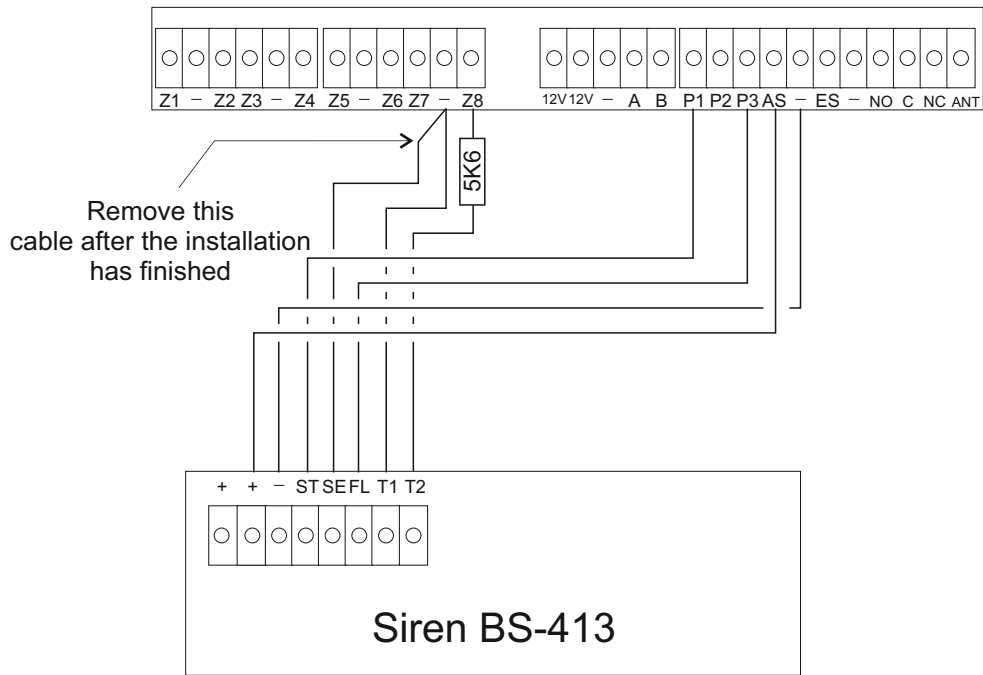


Figure 1. Connecting a BS-413 siren to the BS-468 panel

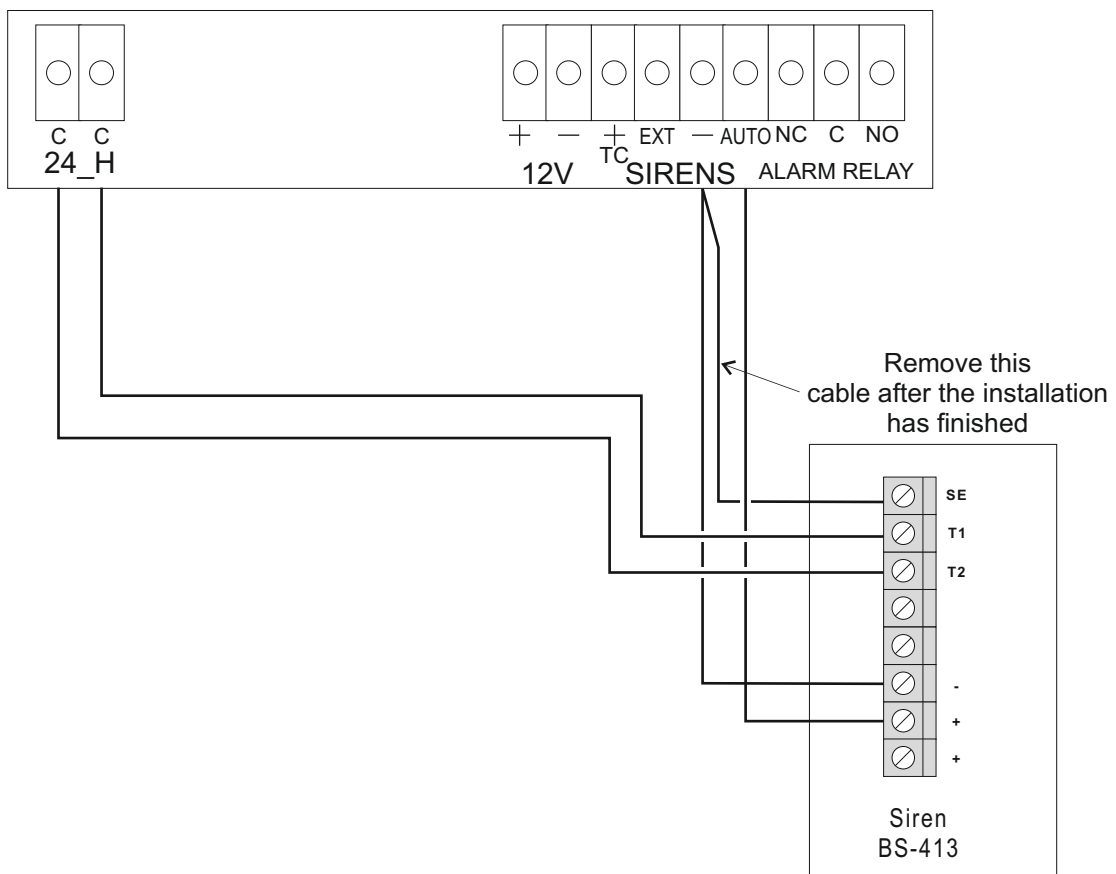


Figure 2. Connecting a BS-413 siren to the BS-418 panel

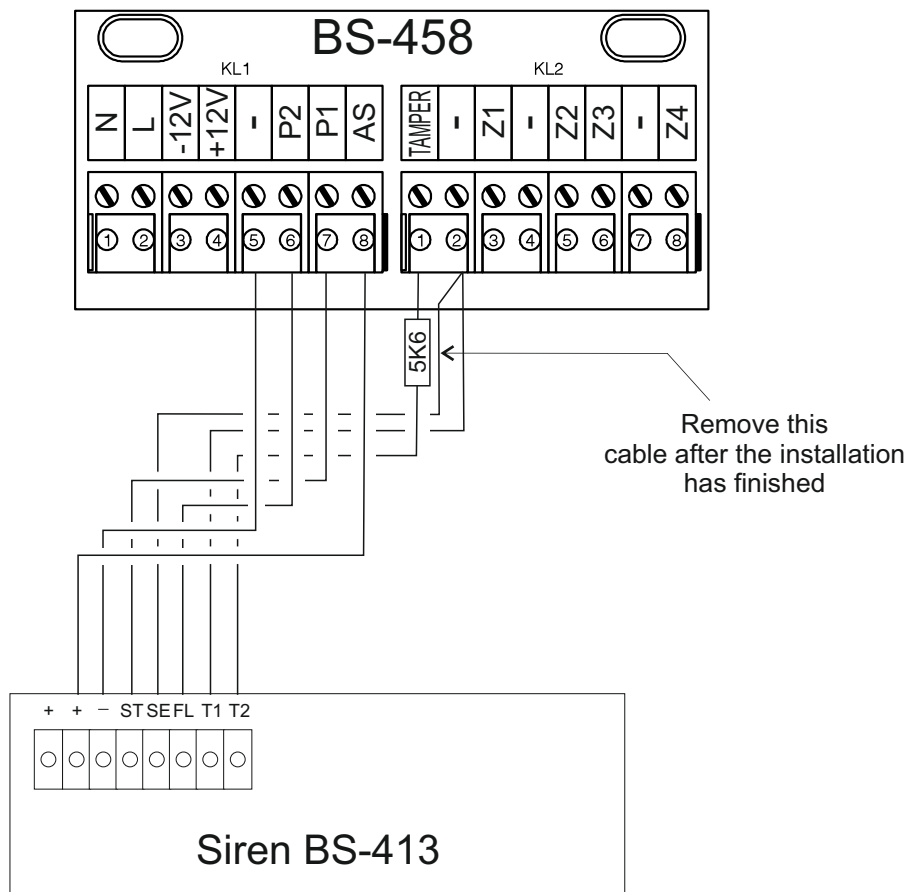


Figure 3. Connecting a BS-413 siren to the BS-458 panel

WARRANTY

Olympia Electronics guarantees the quality, condition and operation of the goods. The period of warranty is specified in the official catalogue of Olympia Electronics and also in the technical leaflet, which accompanies each product. This warranty ceases to exist if the buyer does not follow the technical instructions included in official documents given by Olympia Electronics or if the buyer modifies the goods provided or has any repairs or re-setting done by a third party, unless Olympia Electronics has fully agreed to them in writing. Products that have been damaged can be returned to the premises of our company for repair or replacement, as long as the warranty period is valid.

Olympia Electronics reserves the right to repair or to replace the returned goods and to or not charge the buyer depending on the reason of deflection. Olympia Electronics reserves the right to charge or not the buyer the transportation cost.

HEAD OFFICE

72nd km. O.N.R. Thessaloniki-Katerini

P.C. 60061 Greece

www.olympia-electronics.gr

info@olympia-electronics.gr