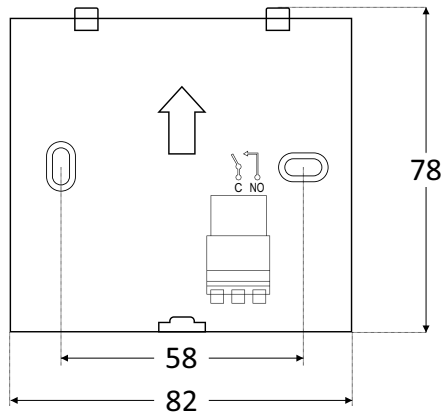
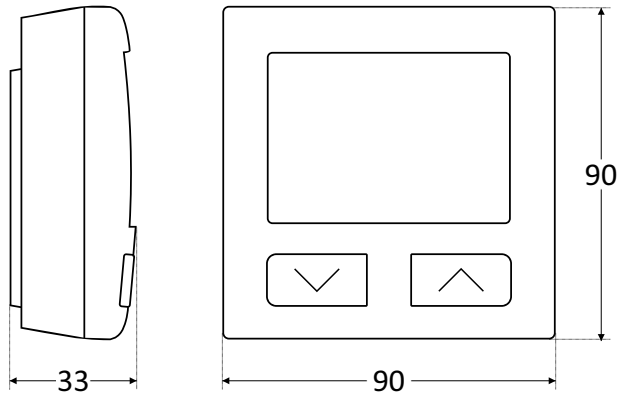


Dimensional drawing (mm)



WARNING HEALTH AND SAFETY INFORMATION

National safety regulations

Failure to comply with national safety regulations may result in personal injury, discomfort, property damage and other potential hazards.

- Comply with any national regulations and comply with appropriate safety regulations
- You shall comply with any additional national regulatory informations.

Risk of electric shock

Disconnect the power supply prior installation of the thermostat.

WARNING! installation, configuration, start-up and maintenance must be done by qualified personnel only.



The device is considered an electronic device for disposal in accordance with the European Guidelines and may not be disposed of as domestic garbage.

- Dispose of the device through channels provided for this purpose.
- Comply with all local and currently applicable laws and regulations.
- Dispose of empty batteries in designated collection points.

TECHNICAL CHARACTERISTICS

	BS-830	BS-830/C
OPERATING VOLTAGE	2 Alkaline batteries AA (LR06)	
FREE RELAY CONTACT	5A (3) - 250V AC	
ADJUSTMENT TEMPERATURE	5 to 35 °C	
DIFFERENTIAL	0.2 °C	
ANTI-FREEZE PROTECTION	4.5 °C	
CALIBRATION	± 3.0 °C	
DEGREES OF COVER PROTECTION	IP20	
PRODUCED IN ACCORDANCE WITH	EN 61000-6-1, EN 61000-6-3, EN 60730-1, EN 60730-2-9	
RELATIVE HUMIDITY	0 - 90% RH	
EXTERNAL DIMENSIONS	90 x 90 x 33mm	
CONSTRUCTION MATERIALS	ABS/PC, PC	
COLOR	WHITE	ANTHRACITE
TYPICAL WEIGHT (including batteries)	180gr	
WARRANTY	2 years	

WARRANTY

Olympia Electronics guarantees the quality, condition and operation of the goods. The period of warranty is specified in the official catalogue of Olympia Electronics and also in the technical leaflet, which accompanies each product. This warranty ceases to exist if the buyer does not follow the technical instructions included in official documents given by Olympia Electronics or if the buyer modifies the goods provided or has any repairs or re-setting done by a third party, unless Olympia Electronics has fully agreed to them in writing. Products that have been damaged can be returned to the premises of our company for repair or replacement, as long as the warranty period is valid.

Olympia Electronics reserves the right to repair or to replace the returned goods and to or not charge the buyer depending on the reason of deflection. Olympia Electronics reserves the right to charge or not the buyer the transportation cost.



for a safer world

72nd km. O.N.R. Thessaloniki-Katerini
P.C. 60300 P.O. Box 06 Eginio Pierias Greece

www.olympia-electronics.com
info@olympia-electronics.gr



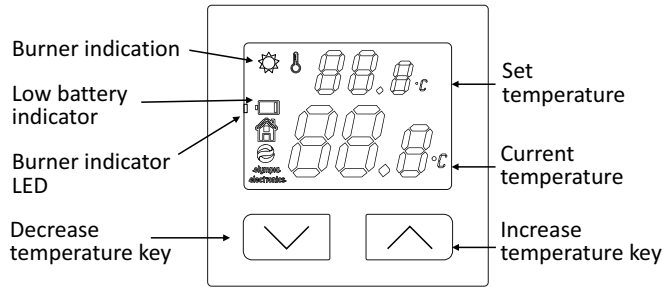
DIGITAL ELECTRONIC THERMOSTAT

Thank you for your trust in our products
Olympia Electronics - European manufacturer

Package Contents

- 1 x Thermostat
- 1 x Termostat mounting base
- 1 x Mounting accessories
- 2 x Alkaline batteries AA

Operational Information



BEFORE THE INSTALLATION

Remove the protective film which is located in the right battery (Figure 2), the thermostat is activated.

USING THE THERMOSTAT

- Switch-on the thermostat by pressing any key.
- To set the temperature, press any key. Decrease temperature key or Increase temperature key. The set temperature is displayed on the screen.
- The thermostat is deactivated by pressing the two keys simultaneously for 2 seconds. The set temperature will cease to appear while the room temperature is displayed.

THERMOSTAT CALIBRATION (if required)

The thermostat is factory calibrated, in case further calibration is required, follow the procedure below. Remove the batteries from the device. Hold down any key and re-install the batteries. The indication CAL and 0.0°C will be displayed in the screen. Press the decrease/increase temperature key to set the temperature. To register the correct value, hold down the two keys until the save indicator appears on the screen.

BATTERY REPLACEMENT

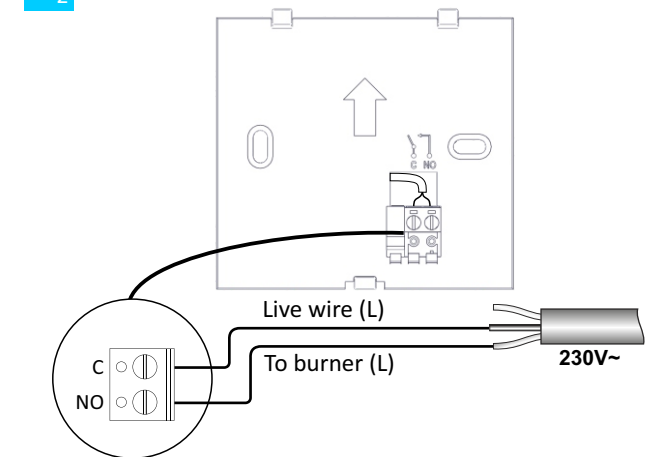
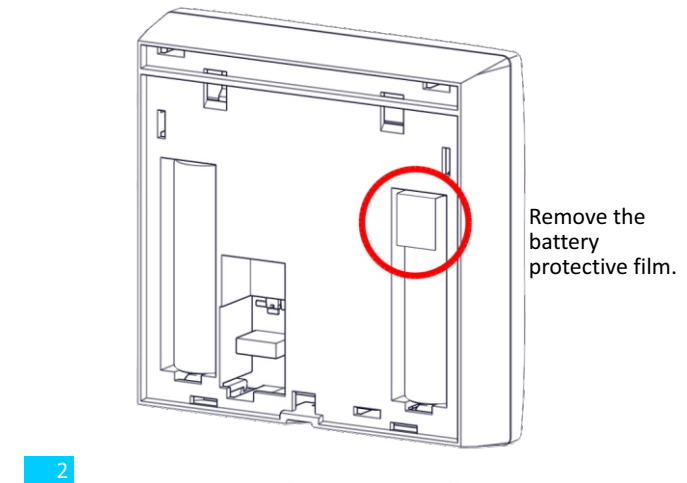
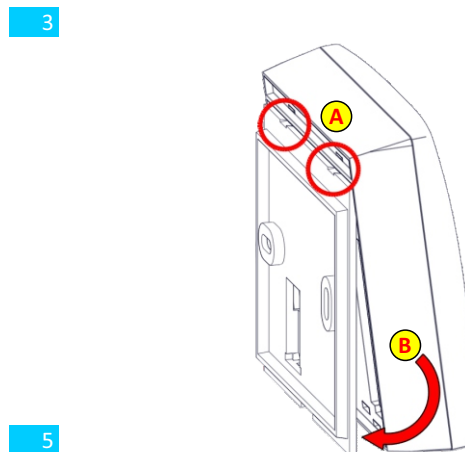
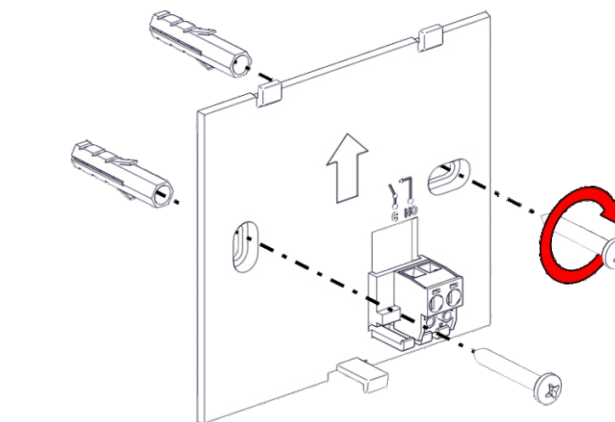
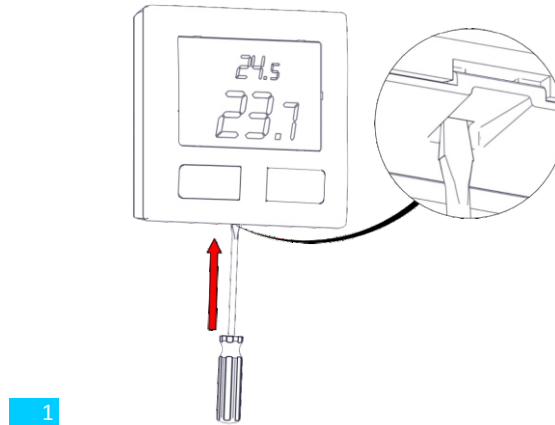
If the symbol appears on the display, then the batteries must be replaced. Always use 2 new alkaline batteries of the same type and characteristics. Pay attention to the correct polarity. If the thermostat does not activate, remove the batteries and re-install them, be sure to follow the symbols of the positive (+) and negative (-) poles of each battery. Do not reverse the polarity of the batteries and do not use rechargeable batteries.

Dispose of the old batteries for recycling, in compliance with current environmental protection regulations.

ANTI-FREEZE PROTECTION

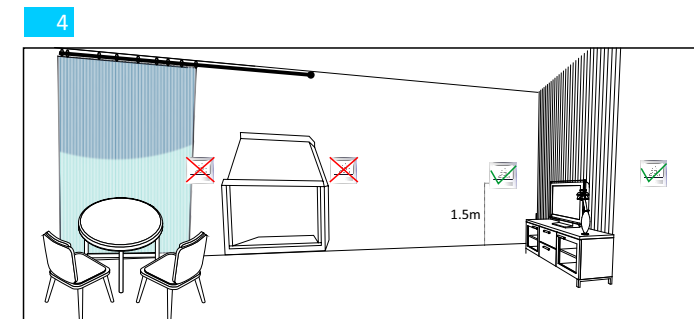
If the room temperature value is 4.5°C, then the thermostat will enable the burner, regardless of the thermostat status. This mode remains active, as long as the temperature is below 5°C.

Installation



Risk of electric shock

Disconnect the power supply prior installation of the thermostat.



- Wall mounting with recommended height: 1.5m from the floor on an internal wall.
- Do not mount the devices in recesses, shelves, behind curtains or doors, either above or near heat sources.
- Avoid direct exposure to sunlight